

Bellows suction cup (rect.)

<https://www.schmalz.com/10.01.06.01113>



FGB-R 80x40 SI-50

Part no.: 10.01.06.01113

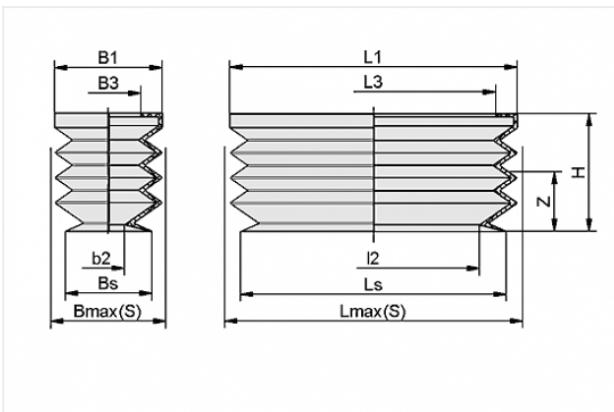
Homepage > Vacuum Technology for Automation > Vacuum Components > Vacuum Suction Cups > FGB-R 80x40 SI-50

Bellows suction cup (rectangular)



Dimensions (LxB): 80 x 40 mm
Suction cup material: Silicone SI
Material hardness: 50 °Sh
Number of folds: 3.5

Design Data



Attribute	Value
b2	19 mm
B1	40 mm
B3	28 mm
Bmax(S)	44 mm
Bs	34 mm
H	33 mm
l2	59 mm
L1	80 mm
L3	68 mm
Lmax(S)	84 mm
Ls	74 mm
Z	12.5 mm

Contact to Schmalz

J. Schmalz GmbH | Johannes-Schmalz-Straße, 72293 Glatten, Deutschland | +49 7443 2403-102 | customercenter@schmalz.de

Technical Data

Attribute	Value
Suction force	61 N
Volume	61 cm ³
Curve radius (min) (convex)	15 mm
Dimensions (LxB)	80 x 40 mm
Number of folds	3.5
Suction cup material	Silicone SI
Material hardness	50 °Sh
Weight	21.4 g
Product family	FGB-R
