

Bellows suction cup (rectangular)

<https://www.schmalz.com/10.01.06.02284>



FSGB-R 80x30 SI-50 G1/4-AG

Part no.: 10.01.06.02284

Homepage > Vacuum Technology for Automation > Vacuum Components > Vacuum Suction Cups > Suction Cups for Packaging > Bellows Suction

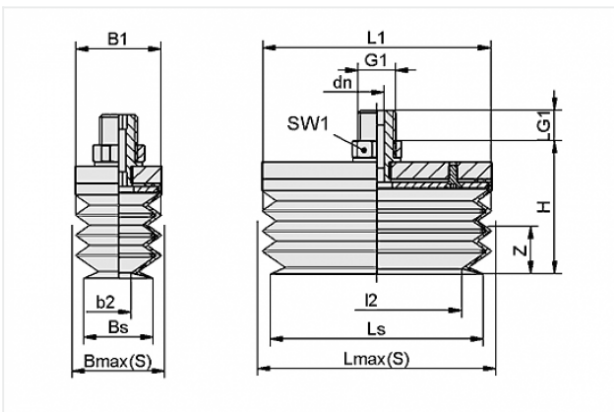
Cups FSGB-R (Rectangular) > FSGB-R 80x30 SI-50 G1/4-AG

Bellows suction cup (rectangular)



Dimensions (LxB): 80 x 30 mm
Suction cup material: Silicone SI
Material hardness: 50 °Sh
Number of folds: 3.5
Nipple material: Aluminium
Vacuum connection: G1/4-M

Design Data



Attribute	Value
-----------	-------

b2	9 mm
B1	24 mm
Bmax(S)	33 mm
Bs	24 mm
dn	5 mm
G1	G1/4"-M
H	57 mm
l2	59 mm
L1	74 mm
LG1	10.5 mm
Lmax(S)	83 mm
Ls	74 mm
SW1	17 mm

Contact to Schmalz

J. Schmalz GmbH | Johannes-Schmalz-Straße, 72293 Glatten, Deutschland | +49 7443 2403-102 | customercenter@schmalz.de

Attribute	Value
Z	15.5 mm

Technical Data

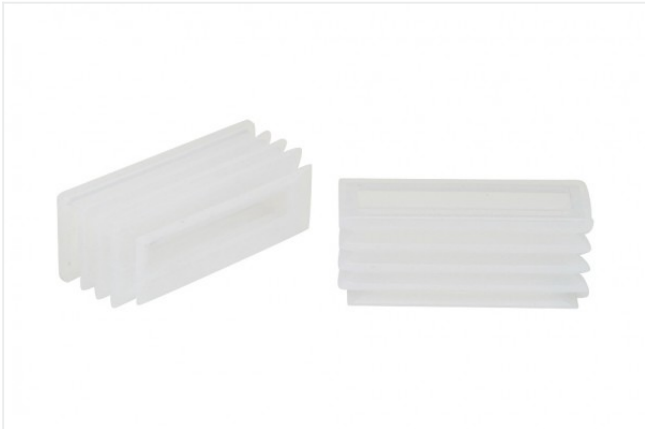
Attribute	Value
Suction force	29 N
Volume	41 cm ³
Curve radius (min) (convex)	12.5 mm
Internal hose diameter (recom.)	6 mm
Dimensions (LxB)	80 x 30 mm
Number of folds	3.5
Suction cup material	Silicone SI
Material hardness	50 °Sh
Weight	80 g
Product family	FSGB-R

Note:

- Suction force: The specified suction forces are theoretical values at a vacuum of -0.6 bar and with a smooth, dry workpiece surface - they do not include a safety factor
- Hose diameter: The recommended hose diameter refers to a hose length of approx. 2 m

Spare Parts

Contact to Schmalz

**FGB-R 80x30 SI-50**

Part no. 10.01.06.01112

Bellows suction cup (rectangular)

Dimensions (LxB): 80 x 30 mm

Suction cup material: Silicone SI

Material hardness: 50 °Sh

Number of folds: 3.5

Accessories**ST-RAHM 75x25 1**

Part no. 10.01.06.02278

Supporting frame

Length L: 75 mm

Width B: 25 mm

Diameter: 1 mm