

# Bellows suction cup (rectangular)

<https://www.schmalz.com/10.01.06.02283>



## FSGB-R 60x29 NBR-50 G1/4-AG

Part no.: 10.01.06.02283

Homepage > Vacuum Technology for Automation > Vacuum Components > Vacuum Suction Cups > Suction Cups for Packaging > Bellows Suction

Cups FSGB-R (Rectangular) > FSGB-R 60x29 NBR-50 G1/4-AG

### Bellows suction cup (rectangular)



Dimensions (LxB): 60 x 29 mm

Suction cup material:

Nitrile rubber NBR

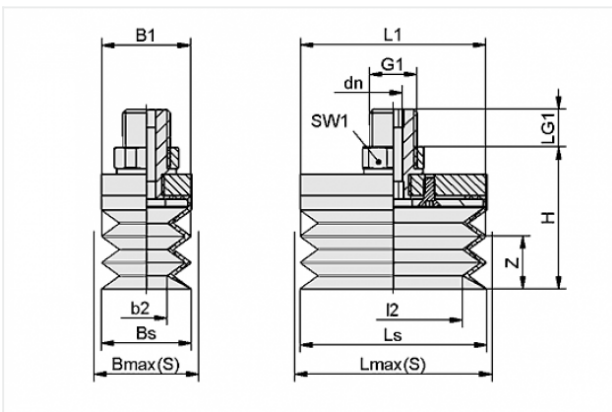
Material hardness: 50 °Sh

Number of folds: 2.5

Nipple material: Aluminium

Vacuum connection: G1/4-M

### Design Data



Attribute	Value
b2	15 mm
B1	29 mm
Bmax(S)	32 mm
Bs	29 mm
dn	5 mm
G1	G1/4"-M
H	50 mm
I2	45 mm
L1	60 mm
LG1	10.5 mm
Lmax(S)	63 mm
Ls	60 mm
SW1	17 mm

### Contact to Schmalz

J. Schmalz GmbH | Johannes-Schmalz-Straße, 72293 Glatten, Deutschland | +49 7443 2403-102 | [customercenter@schmalz.de](mailto:customercenter@schmalz.de)

Attribute	Value
Z	14 mm

---

## Technical Data

Attribute	Value
Suction force	36 N
Volume	22 cm <sup>3</sup>
Curve radius (min) (convex)	12.5 mm
Internal hose diameter (recom.)	6 mm
Dimensions (LxB)	60 x 29 mm
Number of folds	2.5
Suction cup material	Nitrile rubber NBR
Material hardness	50 °Sh
Weight	57 g
Product family	FSGB-R

### Note:

- Suction force: The specified suction forces are theoretical values at a vacuum of -0.6 bar and with a smooth, dry workpiece surface - they do not include a safety factor
  - Hose diameter: The recommended hose diameter refers to a hose length of approx. 2 m
- 

## Spare Parts

### Contact to Schmalz



**FGB-R 60x29 NBR-50**

Part no. 10.01.06.01117

Bellows suction cup (rectangular)

Dimensions (LxB): 60 x 29 mm

Suction cup material:

Nitrile rubber NBR

Material hardness: 50 °Sh

Number of folds: 2.5

**Accessories**



**ST-RAHM 56x25 1**

Part no. 10.01.06.02277

Supporting frame

Length L: 56 mm

Width B: 25 mm

Diameter: 1 mm