

Bellows suction cup (rectangular)

<https://www.schmalz.com/10.01.06.02282>



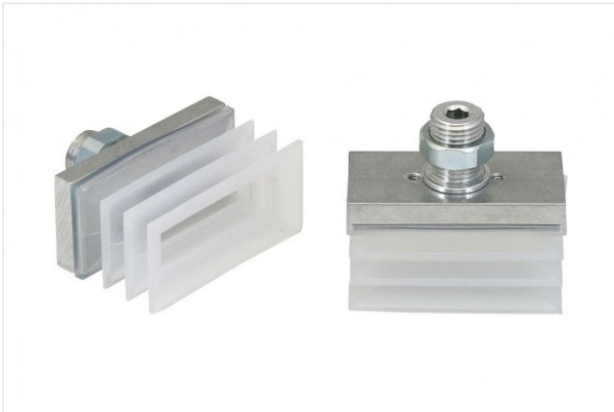
FSGB-R 52x25 SI-50 G1/4-AG

Part no.: 10.01.06.02282

Homepage > Vacuum Technology for Automation > Vacuum Components > Vacuum Suction Cups > Suction Cups for Packaging > Bellows Suction

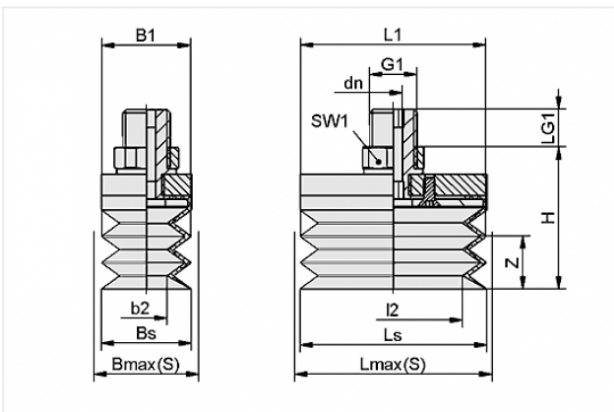
Cups FSGB-R (Rectangular) > FSGB-R 52x25 SI-50 G1/4-AG

Bellows suction cup (rectangular)



Dimensions (LxB): 52 x 25 mm
 Suction cup material: Silicone SI
 Material hardness: 50 °Sh
 Number of folds: 2.5
 Nipple material: Aluminium
 Vacuum connection: G1/4-M

Design Data



Attribute	Value
b2	10 mm
B1	25 mm
Bmax(S)	27.5 mm
Bs	25 mm
dn	5 mm
G1	G1/4"-M
H	50 mm
I2	37 mm
L1	52 mm
LG1	10.5 mm
Lmax(S)	54.5 mm
Ls	52 mm
SW1	17 mm

Contact to Schmalz

J. Schmalz GmbH | Johannes-Schmalz-Straße, 72293 Glatten, Deutschland | +49 7443 2403-102 | customercenter@schmalz.de

Attribute	Value
Z	15 mm

Technical Data

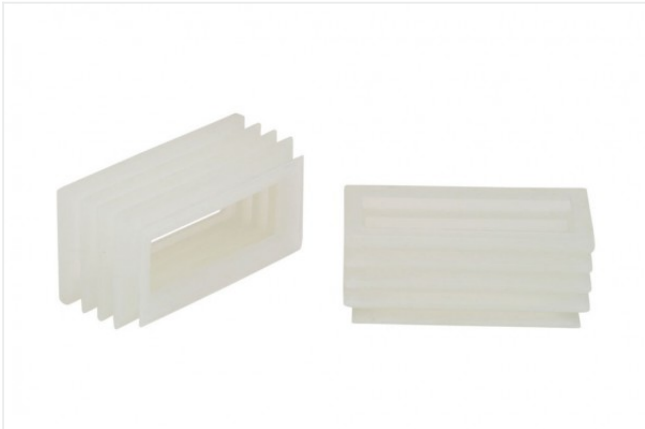
Attribute	Value
Suction force	20 N
Volume	16 cm ³
Curve radius (min) (convex)	10 mm
Internal hose diameter (recom.)	6 mm
Dimensions (LxB)	52 x 25 mm
Number of folds	2.5
Suction cup material	Silicone SI
Material hardness	50 °Sh
Weight	45 g
Product family	FSGB-R

Note:

- Suction force: The specified suction forces are theoretical values at a vacuum of -0.6 bar and with a smooth, dry workpiece surface - they do not include a safety factor
- Hose diameter: The recommended hose diameter refers to a hose length of approx. 2 m

Spare Parts

Contact to Schmalz

**FGB-R 52x25 SI-50**

Part no. 10.01.06.01116

Bellows suction cup (rectangular)

Dimensions (LxB): 52 x 25 mm

Suction cup material: Silicone SI

Material hardness: 50 °Sh

Number of folds: 2.5

Accessories**ST-RAHM 50x23 1**

Part no. 10.01.06.02276

Supporting frame

Length L: 50 mm

Width B: 23 mm

Diameter: 1 mm