

Bellows suction cup (rectangular)

<https://www.schmalz.com/10.01.06.02281>

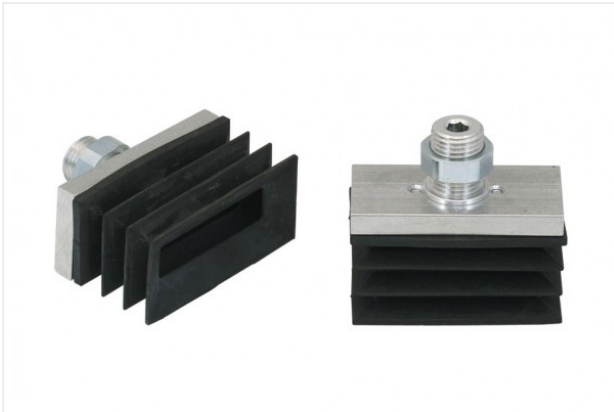


FSGB-R 52x25 NBR-50 G1/4-AG

Part no.: 10.01.06.02281

Homepage > Vacuum Technology for Automation > Vacuum Components > Vacuum Suction Cups > FSGB-R 52x25 NBR-50 G1/4-AG

Bellows suction cup (rectangular)



Dimensions (LxB): 52 x 25 mm

Suction cup material:

Nitrile rubber NBR

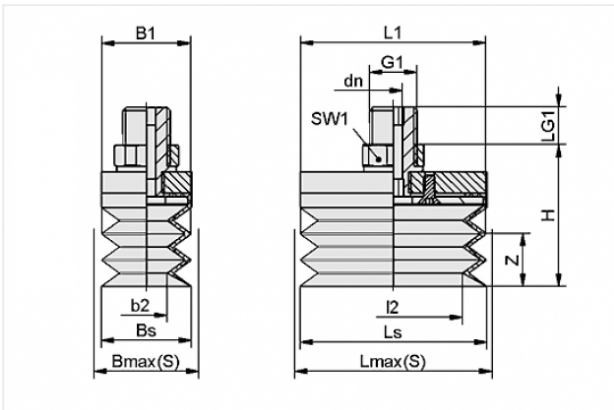
Material hardness: 50 °Sh

Number of folds: 2.5

Nipple material: Aluminium

Vacuum connection: G1/4-M

Design Data



Attribute	Value
b2	10 mm
B1	25 mm
Bmax(S)	27.5 mm
Bs	25 mm
dn	5 mm
G1	G1/4"-M
H	50 mm
I2	37 mm
L1	52 mm
LG1	10.5 mm
Lmax(S)	54.5 mm
Ls	52 mm
SW1	17 mm
Z	15 mm

Contact to Schmalz

J. Schmalz GmbH | Johannes-Schmalz-Straße, 72293 Glatten, Deutschland | +49 7443 2403-102 | customercenter@schmalz.de

Technical Data

Attribute	Value
Suction force	20 N
Volume	16 cm ³
Curve radius (min) (convex)	10 mm
Internal hose diameter (recom.)	6 mm
Dimensions (LxB)	52 x 25 mm
Number of folds	2.5
Suction cup material	Nitrile rubber NBR
Material hardness	50 °Sh
Weight	45 g
Product family	FSGB-R

Spare Parts



FGB-R 52x25 NBR-50

Part no. 10.01.06.01115

Bellows suction cup (rectangular)

Dimensions (LxB): 52 x 25 mm

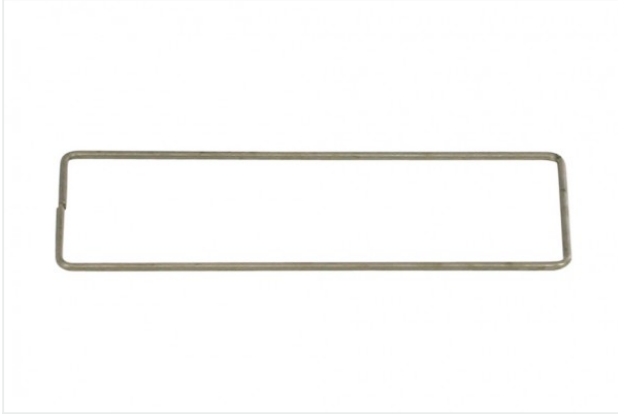
Suction cup material:

Nitrile rubber NBR

Material hardness: 50 °Sh

Number of folds: 2.5

Accessories



ST-RAHM 50x23 1

Part no. 10.01.06.02276

Supporting frame

Length L: 50 mm

Width B: 23 mm

Diameter: 1 mm