

Bellows suction cup SI- HD (round)

<https://www.schmalz.com/10.01.06.02459>



FGA 16 SI-HD N016

Part no.: 10.01.06.02459

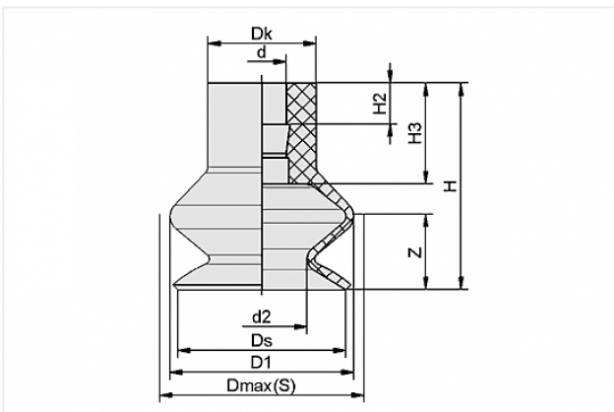
Homepage > Vacuum Technology for Automation > Vacuum Components > Vacuum Suction Cups > Suction Cups for Packaging > Bellows Suction
Cups FGA SI-HD (1.5 Folds) > FGA 16 SI-HD N016

Bellows suction cup (round) for wear-resistant Handling surfaces



Size: 16
Suction cup material: Silicone SI-HD
Material hardness: 65 °Sh
Number of folds: 1.5

Design Data



Attribute	Value
-----------	-------

d	4.5 mm
---	--------

d2	8.4 mm
----	--------

D1	17 mm
----	-------

Dk	10 mm
----	-------

Dmax(S)	18.5 mm
---------	---------

Ds	15.6 mm
----	---------

H	19.2 mm
---	---------

H2	3.8 mm
----	--------

H3	9.4 mm
----	--------

Z	7 mm
---	------

Contact to Schmalz

J. Schmalz GmbH | Johannes-Schmalz-Straße, 72293 Glatten, Deutschland | +49 7443 2403-102 |
customercenter@schmalz.de

Technical Data

Attribute	Value
Suction force	2.3 N
Pull-off force	6.7 N
Volume	1.302 cm ³
Curve radius (min) (convex)	7 mm
Internal hose diameter (recom.)	4 mm
Size	16
Nipple	N 016
Number of folds	1.5
Suction cup material	Silicone SI-HD
Material hardness	65 °Sh
Weight	1.2 g
Product family	FGA

Accessories



SA-NIP N016 G1/8-AG DN350

Part no. 10.01.06.05735

Suction cup connection nipple

Nipple: N 016

Thread G1: G1/8-M

Overall length: 20 mm

Fitting length: 6 mm

Nominal size: 3,50 mm

Material: Aluminium

Contact to Schmalz



SA-NIP N016 G1/8-IG DN350

Part no. 10.01.06.05731

Suction cup connection nipple

Nipple: N 016

Thread G1: G1/8-F

Overall length: 18.5 mm

Fitting length: 12 mm

Nominal size: 3,50 mm

Material: Aluminium



SA-NIP N016 M5-AG DN250

Part no. 10.01.06.00123

Suction cup connection nipple

Nipple: N 016

Thread G1: M5-M

Overall length: 16 mm

Fitting length: 5 mm

Nominal size: 2,50 mm

Material: Aluminium