

Bellows suction cup (round)

<https://www.schmalz.com/10.01.06.02469>



FG 50 PVC-50 N033

Part no.: 10.01.06.02469

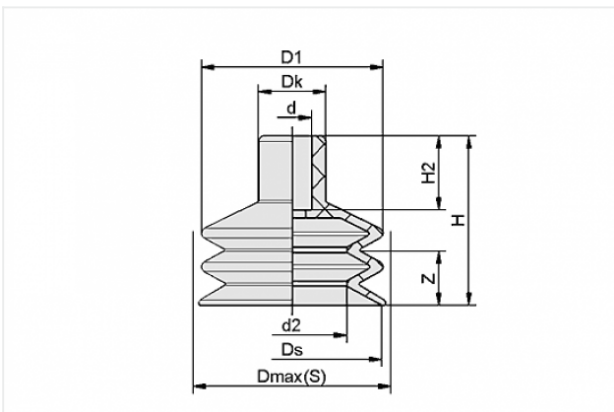
Homepage > Vacuum Technology for Automation > Vacuum Components > Vacuum Suction Cups > Suction Cups for Packaging > Bellows Suction Cups FG PVC (2.5 Folds) > FG 50 PVC-50 N033

Bellows suction cup (round) for very uneven workpieces



Size: 50
Suction cup material: PVC
Material hardness: 50 °Sh
Number of folds: 2.5

Design Data



Attribute	Value
-----------	-------

d	10.8 mm
---	---------

d2	30.4 mm
----	---------

D1	50.5 mm
----	---------

Dk	18.7 mm
----	---------

Dmax(S)	54 mm
---------	-------

Ds	50 mm
----	-------

H	47.2 mm
---	---------

H2	20.7 mm
----	---------

Z	15.2 mm
---	---------

Contact to Schmalz

J. Schmalz GmbH | Johannes-Schmalz-Straße, 72293 Glatten, Deutschland | +49 7443 2403-102 | customercenter@schmalz.de

Technical Data

Attribute	Value
Suction force	36.6 N
Pull-off force	68 N
Volume	28.4 cm ³
Curve radius (min) (convex)	75 mm
Internal hose diameter (recom.)	6 mm
Size	50
Nipple	N 033
Number of folds	2.5
Suction cup material	PVC
Material hardness	50 °Sh
Weight	22.1 g
Product family	FG

Note:

- Suction force: The specified suction forces are theoretical values at a vacuum of -0.6 bar and with a smooth, dry workpiece surface - they do not include a safety factor
- Hose diameter: The recommended hose diameter refers to a hose length of approx. 2 m

Accessories

Contact to Schmalz



SA-NIP N033 G1/4-AG DN550

Part no. 10.01.01.00818

Suction cup connection nipple

Nipple: N 033

Thread G1: G1/4-M

Overall length: 28 mm

Fitting length: 5 mm

Nominal size: 5,50 mm

Material: Aluminium

Spanner size SW2: 6 mm



SA-NIP N033 G1/4-IG DN550

Part no. 10.01.01.00817

Suction cup connection nipple

Nipple: N 033

Thread G1: G1/4-F

Overall length: 28 mm

Fitting length: 15 mm

Nominal size: 5,50 mm

Material: Aluminium

Spanner size SW2: 6 mm