

# Suction cup connection nipple

## SA-NIP N033 G1/4-AG DN550

<https://www.schmalz.com/10.01.01.00818>



Part no.: 10.01.01.00818

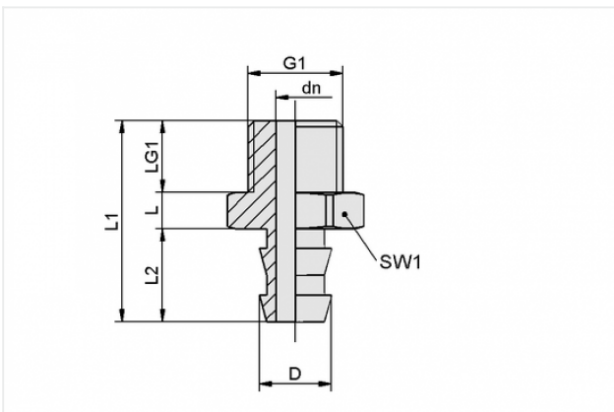
Homepage > Vacuum Technology for Automation > Vacuum Components > Vacuum Suction Cups > Suction Cups for Plastic Films and Paper > SA-NIP N033 G1/4-AG DN550

## Suction cup connection nipple



Nipple: N 033  
Thread G1: G1/4-M  
Overall length: 28 mm  
Fitting length: 5 mm  
Nominal size: 5,50 mm  
Material: Aluminium  
Spanner size SW2: 6 mm

## Design Data



Attribute	Value
-----------	-------

dn	5.5 mm
----	--------

D	13 mm
---	-------

G1	G1/4"-M
----	---------

L	5 mm
---	------

L1	28 mm
----	-------

L2	13 mm
----	-------

LG1	10 mm
-----	-------

SW1	17 mm
-----	-------

SW2	6 mm
-----	------

## Contact to Schmalz

J. Schmalz GmbH | Johannes-Schmalz-Straße, 72293 Glatten, Deutschland | +49 7443 2403-102 | [customercenter@schmalz.de](mailto:customercenter@schmalz.de)

## Technical Data

Attribute	Value
Nipple	N 033
Material	Aluminium
Weight	9 g

---

---