

Edge gripper suction cup (oval)

<https://www.schmalz.com/10.01.01.12481>



SAOK 70x25 NBR-60 RA

Part no.: 10.01.01.12481

Homepage > Vacuum Technology for Automation > Vacuum Components > Vacuum Suction Cups > Suction Cups for Handling Sheet Metal > Edge Gripper Suction Cups SAOK (oval) > SAOK 70x25 NBR-60 RA

Edge gripper suction cup (oval) for dynamic handling of structured surfaces



Dimensions (LxB): 70 x 25 mm

Suction cup material:

Nitrile rubber NBR

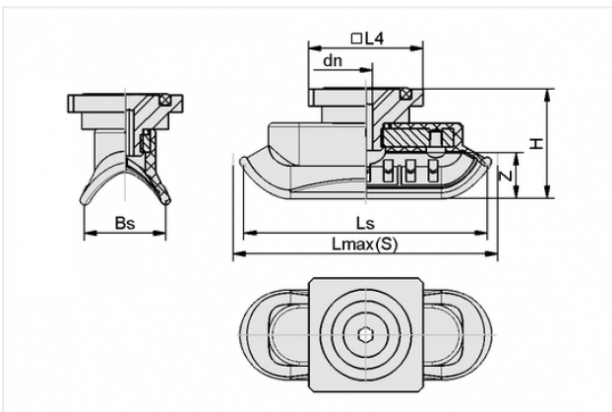
Material hardness: 60 °Sh

Vacuum connection:

Rectangular adapter

Nipple material: Aluminium

Design Data



Attribute	Value
-----------	-------

Bs	22.6 mm
----	---------

dn	4 mm
----	------

H	30.5 mm
---	---------

L4	32 mm
----	-------

Lmax(S)	71 mm
---------	-------

Ls	67.2 mm
----	---------

Z	12.8 mm
---	---------

Technical Data

Attribute	Value
-----------	-------

Pull-off force	81 N
----------------	------

Contact to Schmalz

J. Schmalz GmbH | Johannes-Schmalz-Straße, 72293 Glatten, Deutschland | +49 7443 2403-102 | customercenter@schmalz.de

Attribute	Value
Pull-off force (oily surface)	60 N
Lateral force	46 N
Lateral force (oily surface)	20 N
Internal hose diameter (recom.)	6 mm
Dimensions (LxB)	70 x 25 mm
Workpiece angle (min)	80 °
Suction cup material	Nitrile rubber NBR
Weight	34.4 g
Number of folds	0
Product family	SAOK

Spare Parts



O-RING 10x1.5 NBR-70

Part no. 10.07.08.00129

O-ring

Internal diameter d: 10 mm

Cord diameter: 1.5 mm

Material: Nitrile rubber NBR

Material hardness: 70 °Sh