

# Bellows suction cup (round)

<https://www.schmalz.com/10.01.06.02468>



## FG 40 PVC-50 N033

Part no.: 10.01.06.02468

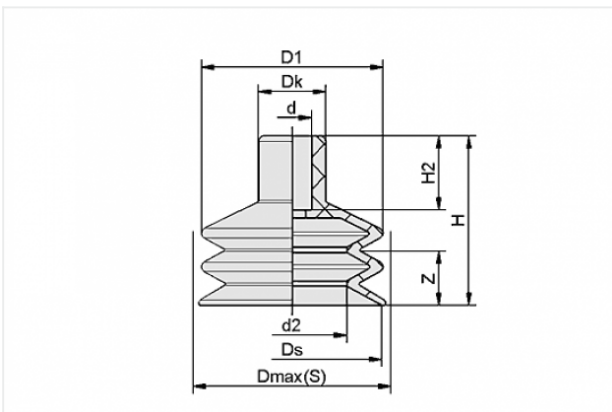
Homepage > Vacuum Technology for Automation > Vacuum Components > Vacuum Suction Cups > Suction Cups for Packaging > Bellows Suction Cups FG PVC (2.5 Folds) > FG 40 PVC-50 N033

### Bellows suction cup (round) for very uneven workpieces



Size: 40  
Suction cup material: PVC  
Material hardness: 50 °Sh  
Number of folds: 2.5

### Design Data



Attribute	Value
-----------	-------

d	10.8 mm
---	---------

d2	23.4 mm
----	---------

D1	40.4 mm
----	---------

Dk	18.7 mm
----	---------

Dmax(S)	44 mm
---------	-------

Ds	40 mm
----	-------

H	41.7 mm
---	---------

H2	20.7 mm
----	---------

Z	10.9 mm
---	---------

### Contact to Schmalz

J. Schmalz GmbH | Johannes-Schmalz-Straße, 72293 Glatten, Deutschland | +49 7443 2403-102 | [customercenter@schmalz.de](mailto:customercenter@schmalz.de)

## Technical Data

Attribute	Value
Suction force	21.7 N
Pull-off force	56 N
Volume	15.218 cm <sup>3</sup>
Curve radius (min) (convex)	60 mm
Internal hose diameter (recom.)	6 mm
Size	40
Nipple	N 033
Number of folds	2.5
Suction cup material	PVC
Material hardness	50 °Sh
Weight	14.3 g
Product family	FG

### Note:

- Suction force: The specified suction forces are theoretical values at a vacuum of -0.6 bar and with a smooth, dry workpiece surface - they do not include a safety factor
- Hose diameter: The recommended hose diameter refers to a hose length of approx. 2 m

## Accessories

### Contact to Schmalz



**SA-NIP N033 G1/4-AG DN550**

Part no. 10.01.01.00818

Suction cup connection nipple

Nipple: N 033

Thread G1: G1/4-M

Overall length: 28 mm

Fitting length: 5 mm

Nominal size: 5,50 mm

Material: Aluminium

Spanner size SW2: 6 mm



**SA-NIP N033 G1/4-IG DN550**

Part no. 10.01.01.00817

Suction cup connection nipple

Nipple: N 033

Thread G1: G1/4-F

Overall length: 28 mm

Fitting length: 15 mm

Nominal size: 5,50 mm

Material: Aluminium

Spanner size SW2: 6 mm