

Edge gripper suction cup (oval)

<https://www.schmalz.com/10.01.01.12459>



SAOK 70x25 NBR-60 G1/4-IG

Part no.: 10.01.01.12459

Homepage > Vacuum Technology for Automation > Vacuum Components > Vacuum Suction Cups > SAOK 70x25 NBR-60 G1/4-IG

Edge gripper suction cup (oval) for dynamic handling of structured surfaces



Dimensions (LxB): 70 x 25 mm

Suction cup material:

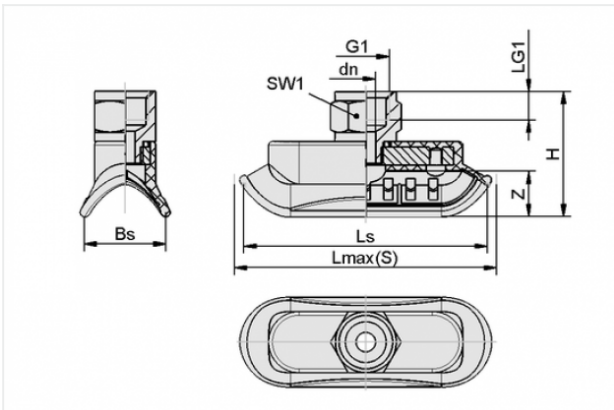
Nitrile rubber NBR

Material hardness: 60 °Sh

Vacuum connection: G1/4-F

Nipple material: Brass

Design Data



Attribute	Value
Bs	22.6 mm
dn	6 mm
G1	G1/4"-F
H	35 mm
LG1	8 mm
Lmax(S)	71 mm
Ls	67.2 mm
SW1	17 mm
Z	12.8 mm

Technical Data

Contact to Schmalz

J. Schmalz GmbH | Johannes-Schmalz-Straße, 72293 Glatten, Deutschland | +49 7443 2403-102 | customercenter@schmalz.de

Attribute	Value
Pull-off force	81 N
Pull-off force (oily surface)	60 N
Lateral force	46 N
Lateral force (oily surface)	20 N
Internal hose diameter (recom.)	6 mm
Dimensions (LxB)	70 x 25 mm
Workpiece angle (min)	80 °
Suction cup material	Nitrile rubber NBR
Weight	34 g
Number of folds	0
Product family	SAOK
