

Bellows suction cup (round)

<https://www.schmalz.com/10.01.06.01943>



FG 32 PVC-50 N058

Part no.: 10.01.06.01943

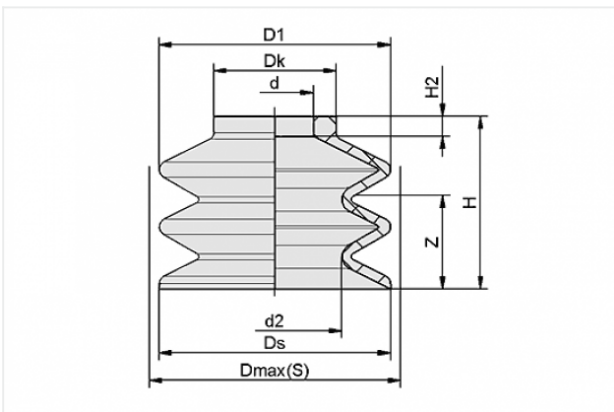
Homepage > Vacuum Technology for Automation > Vacuum Components > Vacuum Suction Cups > Suction Cups for Packaging > Bellows Suction Cups FG PVC (2.5 Folds) > FG 32 PVC-50 N058

Bellows suction cup (round) for very uneven workpieces



Size: 32
Suction cup material: PVC
Material hardness: 50 °Sh
Number of folds: 2.5

Design Data



Attribute	Value
-----------	-------

d	10.7 mm
---	---------

d2	18.6 mm
----	---------

D1	32.2 mm
----	---------

Dk	17 mm
----	-------

Dmax(S)	33.5 mm
---------	---------

Ds	32.2 mm
----	---------

H	24 mm
---	-------

H2	2.8 mm
----	--------

Z	15 mm
---	-------

Contact to Schmalz

J. Schmalz GmbH | Johannes-Schmalz-Straße, 72293 Glatten, Deutschland | +49 7443 2403-102 | customercenter@schmalz.de

Technical Data

Attribute	Value
Suction force	13.9 N
Pull-off force	24 N
Volume	9 cm ³
Curve radius (min) (convex)	30 mm
Internal hose diameter (recom.)	6 mm
Size	32
Nipple	N 058
Number of folds	2.5
Suction cup material	PVC
Material hardness	50 °Sh
Weight	5 g
Product family	FG

Note:

- Suction force: The specified suction forces are theoretical values at a vacuum of -0.6 bar and with a smooth, dry workpiece surface - they do not include a safety factor
- Hose diameter: The recommended hose diameter refers to a hose length of approx. 2 m

Accessories



SA-NIP N058 G1/8-AG DN500

Part no. 10.01.06.02249

Suction cup connection nipple

Nipple: N 058

Thread G1: G1/8-M

Overall length: 17.6 mm

Fitting length: 5 mm

Nominal size: 5,00 mm

Material: Aluminium

Spanner size SW2: 5 mm

Contact to Schmalz

J. Schmalz GmbH | Johannes-Schmalz-Straße, 72293 Glatten, Deutschland | +49 7443 2403-102 | customercenter@schmalz.de

