

Suction cup connection nipple

SA-NIP N057 G1/8-AG DN510

<https://www.schmalz.com/10.01.06.03573>



Part no.: 10.01.06.03573

Homepage > Vacuum Technology for Automation > Vacuum Components > Vacuum Suction Cups > Suction Cups for Packaging > SA-NIP N057

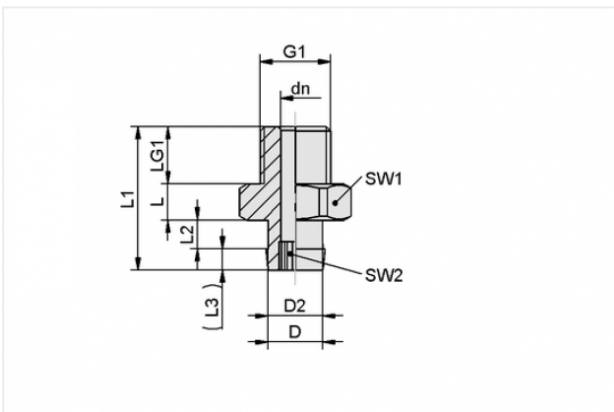
G1/8-AG DN510

Suction cup connection nipple



Nipple: N 057
Thread G1: G1/8-M
Overall length: 27.8 mm
Fitting length: 7 mm
Nominal size: 5,10 mm
Material: Aluminium
Spanner size SW2: 5 mm

Design Data



Attribute	Value
-----------	-------

dn	5.1 mm
----	--------

D	14 mm
---	-------

D2	11.8 mm
----	---------

G1	G1/8"-M
----	---------

L	7 mm
---	------

L1	27.8 mm
----	---------

L2	11.3 mm
----	---------

L3	1.5 mm
----	--------

LG1	8 mm
-----	------

SW1	17 mm
-----	-------

Contact to Schmalz

J. Schmalz GmbH | Johannes-Schmalz-Straße, 72293 Glatten, Deutschland | +49 7443 2403-102 | customercenter@schmalz.de

Technical Data

Attribute	Value
Nipple	N 057
Material	Aluminium
Weight	8.7 g
