

Bellows suction cup (round)

<https://www.schmalz.com/10.01.06.01942>



FG 23 PVC-50 N057

Part no.: 10.01.06.01942

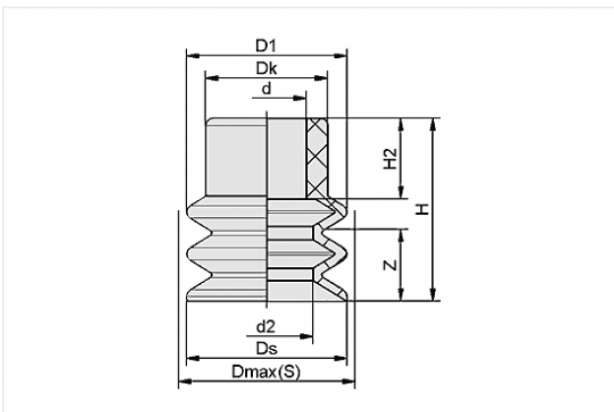
Homepage > Vacuum Technology for Automation > Vacuum Components > Vacuum Suction Cups > Suction Cups for Packaging > Bellows Suction Cups FG PVC (2.5 Folds) > FG 23 PVC-50 N057

Bellows suction cup (round) for very uneven workpieces



Size: 23
Suction cup material: PVC
Material hardness: 50 °Sh
Number of folds: 2.5

Design Data



Attribute	Value
-----------	-------

d	11 mm
---	-------

d2	12.9 mm
----	---------

D1	22.3 mm
----	---------

Dk	17 mm
----	-------

Dmax(S)	25 mm
---------	-------

Ds	22.3 mm
----	---------

H	25.5 mm
---	---------

H2	11.3 mm
----	---------

Z	9.5 mm
---	--------

Contact to Schmalz

J. Schmalz GmbH | Johannes-Schmalz-Straße, 72293 Glatten, Deutschland | +49 7443 2403-102 | customercenter@schmalz.de

Technical Data

Attribute	Value
Suction force	6.6 N
Pull-off force	15 N
Volume	3.864 cm ³
Curve radius (min) (convex)	20 mm
Internal hose diameter (recom.)	4 mm
Size	23
Nipple	N 057
Number of folds	2.5
Suction cup material	PVC
Material hardness	50 °Sh
Weight	3.5 g
Product family	FG

Note:

- Suction force: The specified suction forces are theoretical values at a vacuum of -0.6 bar and with a smooth, dry workpiece surface - they do not include a safety factor
- Hose diameter: The recommended hose diameter refers to a hose length of approx. 2 m

Accessories

Contact to Schmalz



SA-NIP N057 G1/8-AG DN510

Part no. 10.01.06.03573

Suction cup connection nipple

Nipple: N 057

Thread G1: G1/8-M

Overall length: 27.8 mm

Fitting length: 7 mm

Nominal size: 5,10 mm

Material: Aluminium

Spanner size SW2: 5 mm



SA-NIP N057 G1/8-IG DN510

Part no. 10.01.06.03574

Suction cup connection nipple

Nipple: N 057

Thread G1: G1/8-F

Overall length: 24 mm

Fitting length: 11.5 mm

Nominal size: 5,10 mm

Material: Aluminium

Spanner size SW2: 5 mm