

Bellows suction cup (round)

<https://www.schmalz.com/10.01.06.01941>

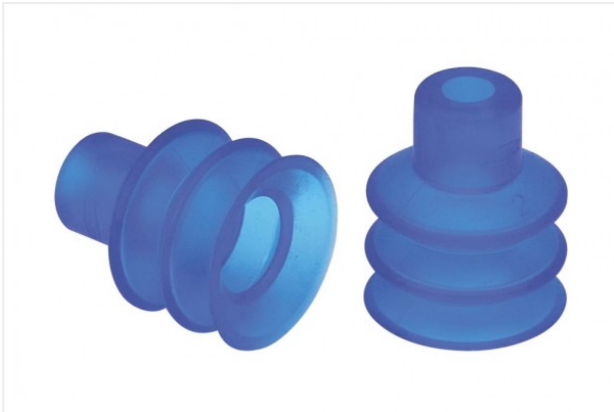


FG 18 PVC-50 N016

Part no.: 10.01.06.01941

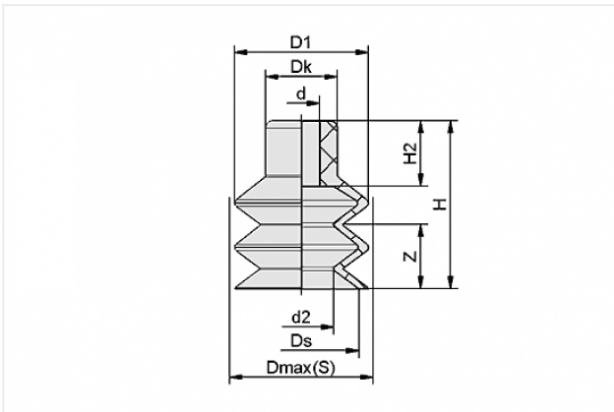
Homepage > Vacuum Technology for Automation > Vacuum Components > Vacuum Suction Cups > FG 18 PVC-50 N016

Bellows suction cup (round) for very uneven workpieces



Size: 18
Suction cup material: PVC
Material hardness: 50 °Sh
Number of folds: 2.5

Design Data



Attribute	Value
d	5 mm
d2	8.9 mm
D1	18.6 mm
Dk	10 mm
Dmax(S)	20 mm
Ds	16 mm
H	23.5 mm
H2	9.2 mm
Z	8.5 mm

Technical Data

Contact to Schmalz

J. Schmalz GmbH | Johannes-Schmalz-Straße, 72293 Glatten, Deutschland | +49 7443 2403-102 | customercenter@schmalz.de

Attribute	Value
Suction force	3.2 N
Pull-off force	8 N
Volume	1.96 cm ³
Curve radius (min) (convex)	15 mm
Internal hose diameter (recom.)	4 mm
Size	18
Nipple	N 016
Number of folds	2.5
Suction cup material	PVC
Material hardness	50 °Sh
Weight	1.8 g
Product family	FG

Accessories



SA-NIP N016 M5-AG DN250

Part no. 10.01.06.00123

Suction cup connection nipple

Nipple: N 016

Thread G1: M5-M

Overall length: 16 mm

Fitting length: 5 mm

Nominal size: 2,50 mm

Material: Aluminium



SA-NIP N016 M5-IG DN250

Part no. 10.01.06.03384

Suction cup connection nipple

Nipple: N 016

Thread G1: M5-F

Overall length: 16 mm

Fitting length: 10 mm

Nominal size: 2,50 mm

Material: Aluminium



SA-NIP N016 G1/8-AG DN350

Part no. 10.01.06.05735

Suction cup connection nipple

Nipple: N 016

Thread G1: G1/8-M

Overall length: 20 mm

Fitting length: 6 mm

Nominal size: 3,50 mm

Material: Aluminium



SA-NIP N016 G1/8-IG DN350

Part no. 10.01.06.05731

Suction cup connection nipple

Nipple: N 016

Thread G1: G1/8-F

Overall length: 18.5 mm

Fitting length: 12 mm

Nominal size: 3,50 mm

Material: Aluminium