

Bell suction cup (round)

<https://www.schmalz.com/10.01.01.12268>



SAG 80 NBR-60 G1/4-IG

Part no.: 10.01.01.12268

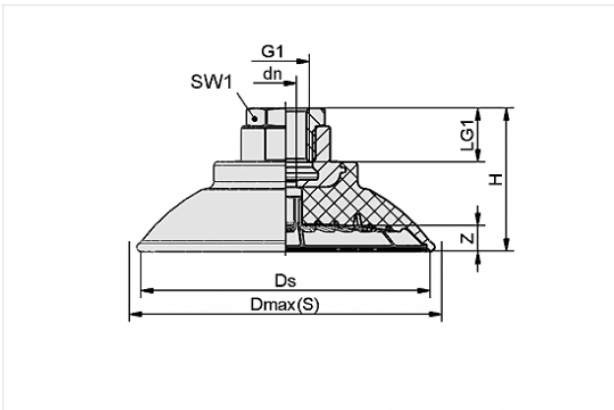
Homepage > Vacuum Technology for Automation > Vacuum Components > Vacuum Suction Cups > SAG 80 NBR-60 G1/4-IG

Bell suction cup (round) for best adaptation to strongly curved surfaces



Size: 80
Suction cup material:
Nitrile rubber NBR
Material hardness: 60 °Sh
Vacuum connection: G1/4-F
Nipple material: Aluminium

Design Data



Attribute	Value
dn	6 mm
Dmax(S)	90.7 mm
Ds	83 mm
G1	G1/4"-F
H	40 mm
LG1	15 mm
SW1	22 mm
Z	12.8 mm

Technical Data

Attribute	Value
Suction force	217 N

Contact to Schmalz

J. Schmalz GmbH | Johannes-Schmalz-Straße, 72293 Glatten, Deutschland | +49 7443 2403-102 | customercenter@schmalz.de



Attribute	Value
Lateral force	284 N
Lateral force (oily surface)	167 N
Volume	44 cm ³
Curve radius (min) (convex)	70 mm
Internal hose diameter (recom.)	6 mm
Size	80
Suction cup material	Nitrile rubber NBR
Material hardness	60 °Sh
Weight	59.1 g
Number of folds	0
