

Bellows suction cup (round)

<https://www.schmalz.com/10.01.06.01947>



FGA 22 PVC-50 N016

Part no.: 10.01.06.01947

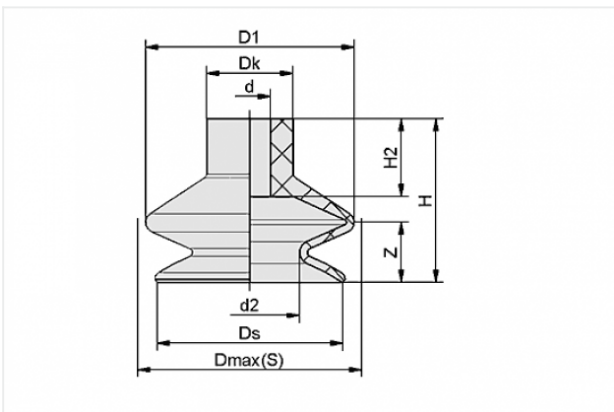
Homepage > Vacuum Technology for Automation > Vacuum Components > Vacuum Suction Cups > Suction Cups for Packaging > Bellows Suction Cups FGA PVC (1.5 Folds) > FGA 22 PVC-50 N016

Bellows suction cup (round) with optimal adaptation to uneven surfaces



Size: 22
Suction cup material: PVC
Material hardness: 50 °Sh
Number of folds: 1.5

Design Data



Attribute	Value
-----------	-------

d	4.8 mm
---	--------

d2	11.5 mm
----	---------

D1	24.2 mm
----	---------

Dk	10 mm
----	-------

Dmax(S)	25 mm
---------	-------

Ds	21.5 mm
----	---------

H	19 mm
---	-------

H2	9 mm
----	------

Z	6.5 mm
---	--------

Contact to Schmalz

J. Schmalz GmbH | Johannes-Schmalz-Straße, 72293 Glatten, Deutschland | +49 7443 2403-102 | customercenter@schmalz.de

Technical Data

Attribute	Value
Suction force	5.3 N
Pull-off force	16 N
Volume	2.3 cm ³
Curve radius (min) (convex)	20 mm
Internal hose diameter (recom.)	4 mm
Size	22
Nipple	N 016
Number of folds	1.5
Suction cup material	PVC
Material hardness	50 °Sh
Weight	1.8 g
Product family	FGA

Note:

- Suction force: The specified suction forces are theoretical values at a vacuum of -0.6 bar and with a smooth, dry workpiece surface - they do not include a safety factor
- Hose diameter: The recommended hose diameter refers to a hose length of approx. 2 m

Accessories

Contact to Schmalz



SA-NIP N016 M5-AG DN250

Part no. 10.01.06.00123

Suction cup connection nipple

Nipple: N 016

Thread G1: M5-M

Overall length: 16 mm

Fitting length: 5 mm

Nominal size: 2,50 mm

Material: Aluminium



SA-NIP N016 M5-IG DN250

Part no. 10.01.06.03384

Suction cup connection nipple

Nipple: N 016

Thread G1: M5-F

Overall length: 16 mm

Fitting length: 10 mm

Nominal size: 2,50 mm

Material: Aluminium



SA-NIP N016 G1/8-AG DN350

Part no. 10.01.06.05735

Suction cup connection nipple

Nipple: N 016

Thread G1: G1/8-M

Overall length: 20 mm

Fitting length: 6 mm

Nominal size: 3,50 mm

Material: Aluminium



SA-NIP N016 G1/8-IG DN350

Part no. 10.01.06.05731

Suction cup connection nipple

Nipple: N 016

Thread G1: G1/8-F

Overall length: 18.5 mm

Fitting length: 12 mm

Nominal size: 3,50 mm

Material: Aluminium