

# Suction cup connection nipple

## SA-NIP N056 G1/8-AG DN400

<https://www.schmalz.com/10.01.06.03571>



Part no.: 10.01.06.03571

Homepage > Vacuum Technology for Automation > Vacuum Components > Vacuum Suction Cups > Suction Cups for Packaging > SA-NIP N056

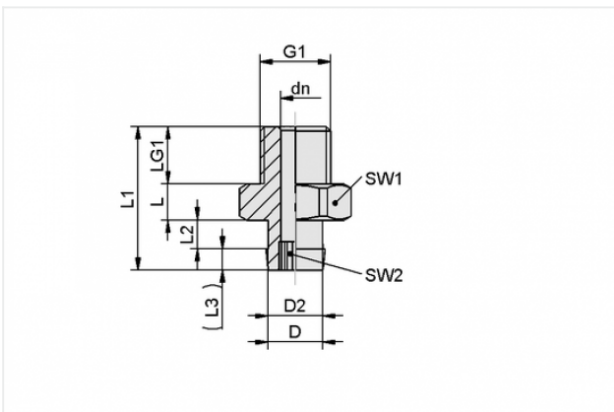
G1/8-AG DN400

## Suction cup connection nipple



Nipple: N 056  
Thread G1: G1/8-M  
Overall length: 20 mm  
Fitting length: 5 mm  
Nominal size: 4,00 mm  
Material: Aluminium  
Spanner size SW2: 4 mm

## Design Data



### Attribute Value

dn	4 mm
D	8.2 mm
D2	7.6 mm
G1	G1/8"-M
L	5 mm
L1	20 mm
L2	4 mm
L3	3 mm
LG1	8 mm
SW1	14 mm
SW2	4 mm

## Contact to Schmalz

J. Schmalz GmbH | Johannes-Schmalz-Straße, 72293 Glatten, Deutschland | +49 7443 2403-102 | [customercenter@schmalz.de](mailto:customercenter@schmalz.de)

## Technical Data

Attribute	Value
Nipple	N 056
Material	Aluminium
Weight	3.2 g

---

---