

Suction cup connection nipple

SA-NIP N056 M5-AG DN200

<https://www.schmalz.com/10.01.06.03080>



Part no.: 10.01.06.03080

Homepage > Vacuum Technology for Automation > Vacuum Components > Vacuum Suction Cups > Suction Cups for Packaging > SA-NIP N056

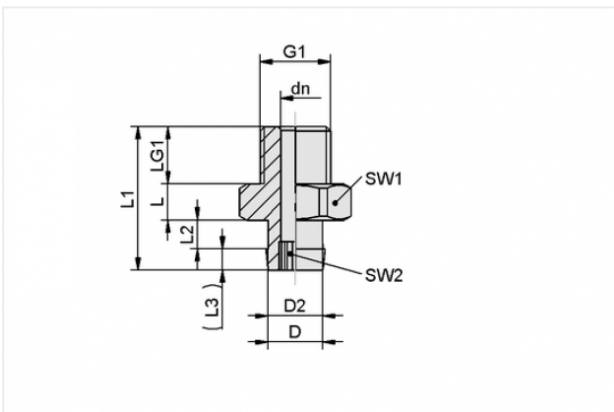
M5-AG DN200

Suction cup connection nipple



Nipple: N 056
 Thread G1: M5-M
 Overall length: 17 mm
 Fitting length: 5 mm
 Nominal size: 2.00 mm
 Material: Aluminium
 Spanner size SW2: 4 mm

Design Data



Attribute	Value
dn	2 mm
D	8.2 mm
D2	7.6 mm
G1	M5-M
L	5 mm
L1	17 mm
L2	4 mm
L3	3 mm
LG1	5 mm
SW1	14 mm
SW2	4 mm

Contact to Schmalz

J. Schmalz GmbH | Johannes-Schmalz-Straße, 72293 Glatten, Deutschland | +49 7443 2403-102 | customercenter@schmalz.de

Technical Data

Attribute	Value
Nipple	N 056
Material	Aluminium
Weight	3.2 g
