

Bellows suction cup (round)

<https://www.schmalz.com/10.01.06.01975>



FGA 19 PVC-50 N056

Part no.: 10.01.06.01975

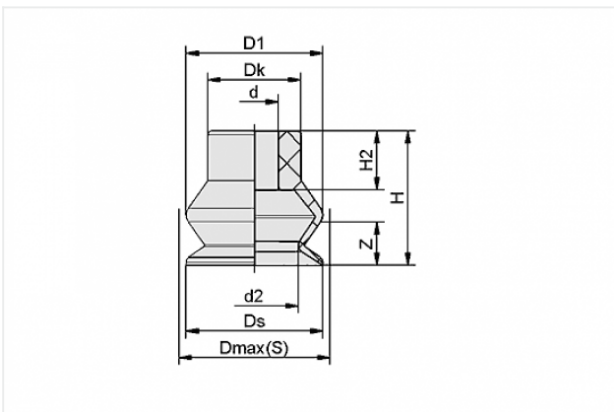
Homepage > Vacuum Technology for Automation > Vacuum Components > Vacuum Suction Cups > Suction Cups for Packaging > Bellows Suction Cups FGA PVC (1.5 Folds) > FGA 19 PVC-50 N056

Bellows suction cup (round) with optimal adaptation to uneven surfaces



Size: 19
Suction cup material: PVC
Material hardness: 50 °Sh
Number of folds: 1.5

Design Data



Attribute	Value
-----------	-------

d	6.6 mm
---	--------

d2	12.2 mm
----	---------

D1	19 mm
----	-------

Dk	13 mm
----	-------

Dmax(S)	21.5 mm
---------	---------

Ds	19 mm
----	-------

H	18.7 mm
---	---------

H2	8.2 mm
----	--------

Z	6 mm
---	------

Contact to Schmalz

J. Schmalz GmbH | Johannes-Schmalz-Straße, 72293 Glatten, Deutschland | +49 7443 2403-102 | customercenter@schmalz.de

Technical Data

Attribute	Value
Suction force	5.9 N
Pull-off force	10 N
Volume	2.024 cm ³
Curve radius (min) (convex)	20 mm
Internal hose diameter (recom.)	4 mm
Size	19
Nipple	N 056
Number of folds	1.5
Suction cup material	PVC
Material hardness	50 °Sh
Weight	1.5 g
Product family	FGA

Note:

- Suction force: The specified suction forces are theoretical values at a vacuum of -0.6 bar and with a smooth, dry workpiece surface - they do not include a safety factor
- Hose diameter: The recommended hose diameter refers to a hose length of approx. 2 m

Accessories

Contact to Schmalz



SA-NIP N056 M5-AG DN200

Part no. 10.01.06.03080

Suction cup connection nipple

Nipple: N 056

Thread G1: M5-M

Overall length: 17 mm

Fitting length: 5 mm

Nominal size: 2.00 mm

Material: Aluminium

Spanner size SW2: 4 mm



SA-NIP N056 G1/8-AG DN400

Part no. 10.01.06.03571

Suction cup connection nipple

Nipple: N 056

Thread G1: G1/8-M

Overall length: 20 mm

Fitting length: 5 mm

Nominal size: 4,00 mm

Material: Aluminium

Spanner size SW2: 4 mm



SA-NIP N056 G1/8-IG DN400

Part no. 10.01.06.03572

Suction cup connection nipple

Nipple: N 056

Thread G1: G1/8-F

Overall length: 17 mm

Fitting length: 10 mm

Nominal size: 4,00 mm

Material: Aluminium

Spanner size SW2: 4 mm