

# Bell suction cup (round)

<https://www.schmalz.com/10.01.01.12167>



## SAG 60 NBR-60 G1/4-AG

Part no.: 10.01.01.12167

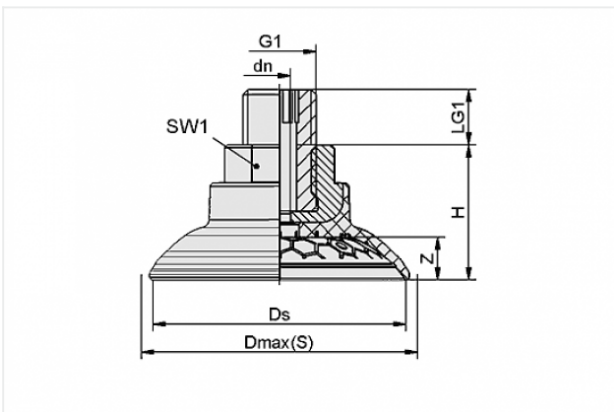
Homepage > Vacuum Technology for Automation > Vacuum Components > Vacuum Suction Cups > Suction Cups for Handling Sheet Metal > Bell-Shaped Suction Cups SAG > SAG 60 NBR-60 G1/4-AG

### Bell suction cup (round) for best adaptation to strongly curved surfaces



Size: 60  
Suction cup material:  
Nitrile rubber NBR  
Material hardness: 60 °Sh  
Vacuum connection: G1/4-M  
Nipple material: Aluminium

#### Design Data



Attribute	Value
-----------	-------

dn	6 mm
Dmax(S)	70.5 mm
Ds	63.5 mm
G1	G1/4"-M
H	31 mm
LG1	10 mm
SW1	22 mm
Z	10.6 mm

#### Technical Data

#### Contact to Schmalz

J. Schmalz GmbH | Johannes-Schmalz-Straße, 72293 Glatten, Deutschland | +49 7443 2403-102 | [customercenter@schmalz.de](mailto:customercenter@schmalz.de)

Attribute	Value
Suction force	122 N
Lateral force	153 N
Lateral force (oily surface)	80 N
Volume	22 cm <sup>3</sup>
Curve radius (min) (convex)	50 mm
Internal hose diameter (recom.)	6 mm
Size	60
Suction cup material	Nitrile rubber NBR
Material hardness	60 °Sh
Weight	40.2 g
Number of folds	0

## Spare Parts



### **SAG 60 NBR-60 G3/8-IG**

Part no. 10.01.01.12166

Bell suction cup (round) for best adaptation to strongly curved surfaces

Size: 60

Suction cup material:

Nitrile rubber NBR

Material hardness: 60 °Sh

Vacuum connection: G3/8-F

Nipple material: Aluminium