

Bellows suction cup (round)

<https://www.schmalz.com/10.01.06.03553>



SPB4f 50 SI-55 G1/2-AG

Part no.: 10.01.06.03553

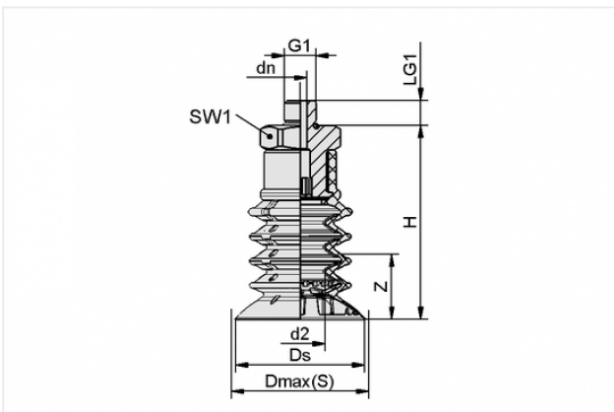
Homepage > Vacuum Technology for Automation > Vacuum Components > Vacuum Suction Cups > Suction Cups for Packaging > Bellows Suction Cups SPB4f (4.5 Folds) > SPB4f 50 SI-55 G1/2-AG

Bellows suction cup (round) for very uneven workpieces



Size: 50
Suction cup material: Silicone SI
Material hardness: 55 °Sh
Thread G1: G1/2-M
Number of folds: 4.5

Design Data



Attribute	Value
-----------	-------

d2	21 mm
----	-------

dn	15 mm
----	-------

Dmax(S)	52 mm
---------	-------

Ds	49.7 mm
----	---------

G1	G1/2"-M
----	---------

H	72.5 mm
---	---------

LG1	14 mm
-----	-------

SW1	27 mm
-----	-------

Z	26 mm
---	-------

Contact to Schmalz

J. Schmalz GmbH | Johannes-Schmalz-Straße, 72293 Glatten, Deutschland | +49 7443 2403-102 | customercenter@schmalz.de

Technical Data

Attribute	Value
Suction force at -200 mbar	13.7 N
Suction force at -400 mbar	27.3 N
Suction force	41 N
Pull-off force	35 N
Volume	33.11 cm ³
Internal hose diameter (recom.)	12 mm
Number of folds	4.5
Suction cup material	Silicone SI
Material hardness	55 °Sh
Weight	44.1 g
Product family	SPB4f

Spare Parts



SC 090 G1/2-AG

Part no. 10.01.06.02595

Connection element for suction cup SchmalzConnector

Connection geometry: 090

Vacuum connection: G1/2-M

Overall length: 37.5 mm

Fitting length: 7.5 mm

Nominal diameter dn: 15 mm

Contact to Schmalz

J. Schmalz GmbH | Johannes-Schmalz-Straße, 72293 Glatten, Deutschland | +49 7443 2403-102 | customercenter@schmalz.de

**SPB4f 50 SI-55 SC090**

Part no. 10.01.06.03266

Bellows suction cup (round) for wear-resistant Handling

Size: 50

Suction cup material: Silicone SI

Material hardness: 55 °Sh

Material characteristics:

FDA-compatible

Number of folds: 4.5

Accessories**SIEB 19.5x1 MS-A2 103**

Part no. 10.07.01.00321

Screen

External diameter D: 19.5 mm

Length L: 1 mm

Material: Brass / Stainless steel

Filter pore size: 103 µm

**SSB 20-32 ST-VZ**

Part no. 10.07.10.00003

Hose clamp for securing smooth hoses

Clamping range: 20.0 ... 32.0 mm

Material: Steel galvanised