

Suction cup connection nipple

SA-NIP N036 G1/4-AG DN500

<https://www.schmalz.com/10.01.01.00836>



Part no.: 10.01.01.00836

Homepage > Vacuum Technology for Automation > Vacuum Components > Vacuum Suction Cups > Suction Cups for Handling Sheet Metal > SA-

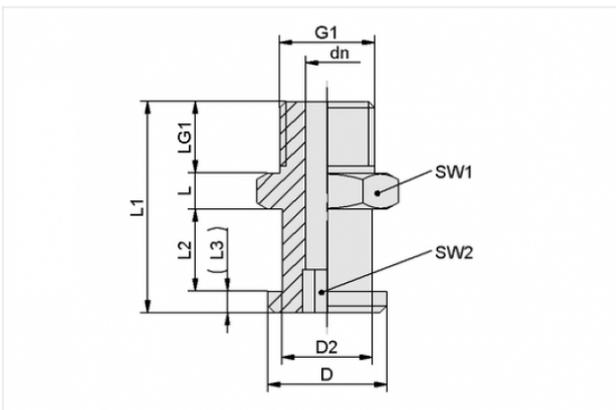
NIP N036 G1/4-AG DN500

Suction cup connection nipple



Nipple: N 036
Thread G1: G1/4-M
Overall length: 29.5 mm
Fitting length: 5 mm
Nominal size: 5,00 mm
Material: Steel
Surface: burnished
Spanner size SW2: 5 mm

Design Data



Attribute Value

dn	5 mm
D	16.5 mm
D2	10.5 mm
G1	G1/4"-M
L	5 mm
L1	29.5 mm
L2	9.5 mm
L3	3 mm
LG1	12 mm
SW1	22 mm
SW2	5 mm

Contact to Schmalz

J. Schmalz GmbH | Johannes-Schmalz-Straße, 72293 Glatten, Deutschland | +49 7443 2403-102 | customercenter@schmalz.de

Technical Data

Attribute	Value
Nipple	N 036
Material	Steel
Weight	33.3 g
