

Bell suction cup (round)

<https://www.schmalz.com/10.01.01.00835>



SGGN 85 VU1-72 G1/4-AG

Part no.: 10.01.01.00835

Homepage > Vacuum Technology for Automation > Vacuum Components > Vacuum Suction Cups > Suction Cups for Handling Sheet Metal > Bell-Shaped Suction Cups SGGN > SGGN 85 VU1-72 G1/4-AG

Bell suction cup (round) for best adaptation to strongly curved surfaces



Size: 85

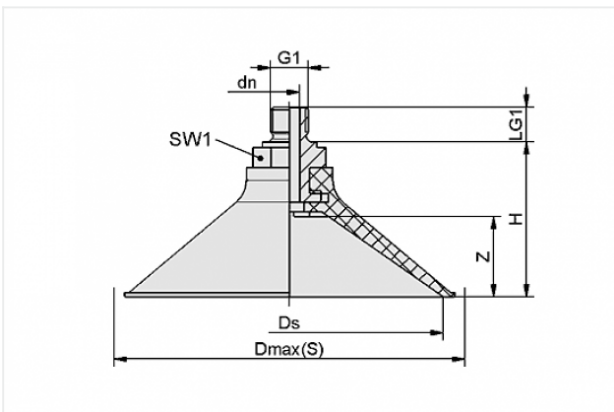
Suction cup material: Vulkollan VU1

Material hardness: 72 °Sh

Nipple material: Steel

Vacuum connection: G1/4-M

Design Data



Attribute	Value
-----------	-------

dn	5 mm
----	------

Dmax(S)	93 mm
---------	-------

Ds	85 mm
----	-------

G1	G1/4"-M
----	---------

H	40 mm
---	-------

LG1	12 mm
-----	-------

SW1	22 mm
-----	-------

Z	17.5 mm
---	---------

Technical Data

Contact to Schmalz

J. Schmalz GmbH | Johannes-Schmalz-Straße, 72293 Glatten, Deutschland | +49 7443 2403-102 | customercenter@schmalz.de

Attribute	Value
Suction force	200 N
Volume	56 cm ³
Curve radius (min) (convex)	100 mm
Curve radius (min) (concave)	350 mm
Internal hose diameter (recom.)	6 mm
Size	85
Nipple	N 036
Suction cup material	Vulkollan VU1
Weight	67 g
Number of folds	0
Product family	SGGN

Note:

- Suction force: The specified suction forces are theoretical values at a vacuum of -0.6 bar and with a smooth, dry workpiece surface - they do not include a safety factor
- Hose diameter: The recommended hose diameter refers to a hose length of approx. 2 m

Spare Parts



SA-NIP N036 G1/4-AG DN500

Part no. 10.01.01.00836

Suction cup connection nipple

Nipple: N 036

Thread G1: G1/4-M

Overall length: 29.5 mm

Fitting length: 5 mm

Nominal size: 5,00 mm

Material: Steel

Surface: burnished

Spanner size SW2: 5 mm



SGG 85 VU1-72 N036

Part no. 10.01.01.00707

Bell suction cup (round)

Size: 85

Suction cup material: Vulkollan VU1

Material hardness: 72 °Sh