

Bellows suction cup (round)

<https://www.schmalz.com/10.01.06.03542>



SPB4f 30 SI-55 G1/4-IG

Part no.: 10.01.06.03542

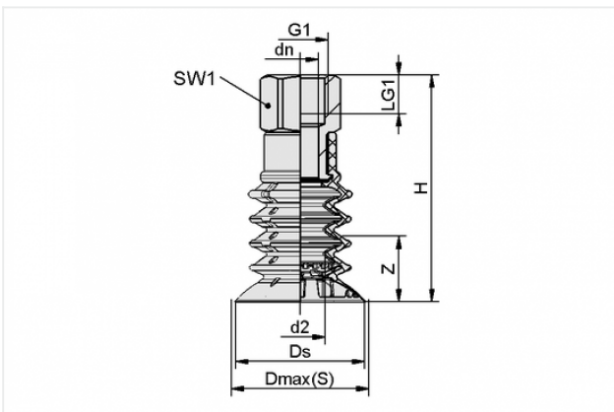
Homepage > Vacuum Technology for Automation > Vacuum Components > Vacuum Suction Cups > Suction Cups for Packaging > Bellows Suction Cups SPB4f (4.5 Folds) > SPB4f 30 SI-55 G1/4-IG

Bellows suction cup (round) for very uneven workpieces



Size: 30
Suction cup material: Silicone SI
Material hardness: 55 °Sh
Thread G1: G1/4-F
Number of folds: 4.5

Design Data



Attribute	Value
d2	12.3 mm
dn	11 mm
Dmax(S)	32 mm
Ds	30.7 mm
G1	G1/4"-F
H	57.5 mm
LG1	12 mm
SW1	22 mm
Z	10 mm

Contact to Schmalz

J. Schmalz GmbH | Johannes-Schmalz-Straße, 72293 Glatten, Deutschland | +49 7443 2403-102 | customercenter@schmalz.de

Technical Data

Attribute	Value
Suction force at -200 mbar	4.3 N
Suction force at -400 mbar	8.5 N
Suction force	12.8 N
Pull-off force	21.2 N
Volume	5.988 cm ³
Internal hose diameter (recom.)	9 mm
Number of folds	4.5
Suction cup material	Silicone SI
Material hardness	55 °Sh
Weight	26.2 g
Product family	SPB4f

Spare Parts



SC 080 G1/4-IG

Part no. 10.01.06.03271

Connection element for suction cup SchmalzConnector

Connection geometry: 080

Vacuum connection: G1/4-F

Overall length: 32 mm

Fitting length: 17.5 mm

Nominal diameter dn: 11 mm

Contact to Schmalz



SPB4f 30 SI-55 SC080

Part no. 10.01.06.03264

Bellows suction cup (round) for wear-resistant Handling

Size: 30

Suction cup material: Silicone SI

Material hardness: 55 °Sh

Material characteristics:

FDA-compatible

Number of folds: 4.5

Accessories



SIEB 17x0.8 MS-A2 103 0.103/0.07

Part no. 10.07.01.00320

Screen

External diameter D: 17 mm

Length L: 0.8 mm

Material: Brass / Stainless steel

Filter pore size: 103 µm

Mesh: 0.103 mm

Wire size: 0.07 mm



SSB 16-27 ST-VZ

Part no. 10.07.10.00002

Hose clamp for securing smooth hoses

Clamping range: 16.0 ... 27.0 mm

Material: Steel galvanised