

Bell suction cup (round)

<https://www.schmalz.com/10.01.01.10429>



SGGN 53 NBR-55 M10-AG

Part no.: 10.01.01.10429

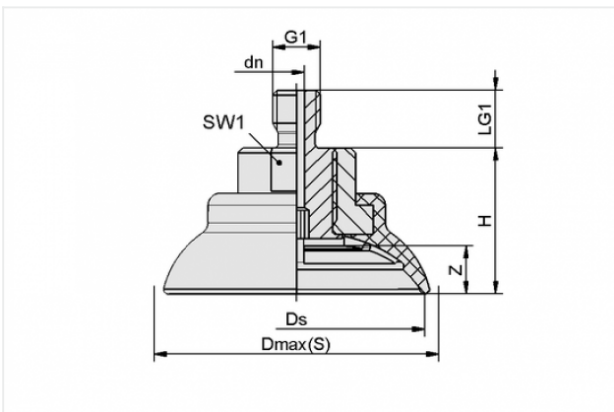
Homepage > Vacuum Technology for Automation > Vacuum Components > Vacuum Suction Cups > Suction Cups for Handling Sheet Metal > Bell-Shaped Suction Cups SGGN > SGGN 53 NBR-55 M10-AG

Bell suction cup (round) for best adaptation to strongly curved surfaces



Size: 53
Suction cup material:
Nitrile rubber NBR
Material hardness: 55 °Sh
Nipple material: Steel
Vacuum connection: M10-M

Design Data



| Attribute | Value |
|-----------|-------|
|-----------|-------|

| | |
|----|--------|
| dn | 3.4 mm |
|----|--------|

| | |
|---------|-------|
| Dmax(S) | 64 mm |
|---------|-------|

| | |
|----|---------|
| Ds | 53.5 mm |
|----|---------|

| | |
|----|-------|
| G1 | M10-M |
|----|-------|

| | |
|---|---------|
| H | 30.5 mm |
|---|---------|

| | |
|-----|-------|
| LG1 | 12 mm |
|-----|-------|

| | |
|-----|-------|
| SW1 | 22 mm |
|-----|-------|

| | |
|---|-------|
| Z | 10 mm |
|---|-------|

Technical Data

Contact to Schmalz

J. Schmalz GmbH | Johannes-Schmalz-Straße, 72293 Glatten, Deutschland | +49 7443 2403-102 | customercenter@schmalz.de

| Attribute | Value |
|---------------------------------|------------------------|
| Suction force | 85 N |
| Volume | 22.152 cm ³ |
| Curve radius (min) (convex) | 40 mm |
| Internal hose diameter (recom.) | 6 mm |
| Size | 53 |
| Suction cup material | Nitrile rubber NBR |
| Weight | 34 g |
| Number of folds | 0 |
| Product family | SGGN |

Note:

- Suction force: The specified suction forces are theoretical values at a vacuum of -0.6 bar and with a smooth, dry workpiece surface - they do not include a safety factor
- Hose diameter: The recommended hose diameter refers to a hose length of approx. 2 m