

# Bell suction cup (round)

<https://www.schmalz.com/10.01.01.10422>



## SGGN 53 NBR-55 G3/8-IG

Part no.: 10.01.01.10422

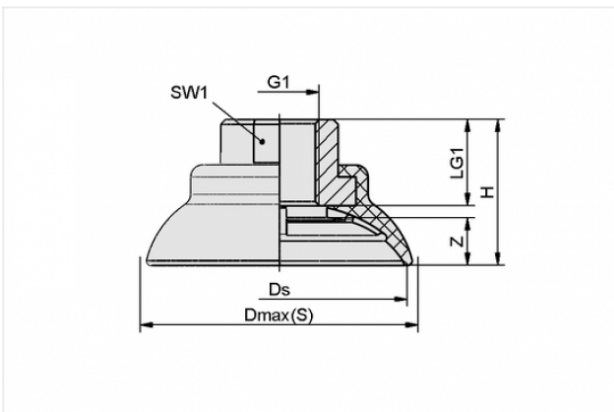
Homepage > Vacuum Technology for Automation > Vacuum Components > Vacuum Suction Cups > Suction Cups for Handling Sheet Metal > Bell-Shaped Suction Cups SGGN > SGGN 53 NBR-55 G3/8-IG

### Bell suction cup (round) for best adaptation to strongly curved surfaces



Size: 53  
Suction cup material:  
Nitrile rubber NBR  
Material hardness: 55 °Sh  
Nipple material: Aluminium  
Vacuum connection: G3/8-F

### Design Data



Attribute	Value
-----------	-------

dn	14.9 mm
----	---------

Dmax(S)	64 mm
---------	-------

Ds	53.5 mm
----	---------

G1	G3/8"-F
----	---------

H	30.5 mm
---	---------

LG1	18 mm
-----	-------

SW1	22 mm
-----	-------

Z	10 mm
---	-------

### Technical Data

#### Contact to Schmalz

J. Schmalz GmbH | Johannes-Schmalz-Straße, 72293 Glatten, Deutschland | +49 7443 2403-102 | [customercenter@schmalz.de](mailto:customercenter@schmalz.de)

Attribute	Value
Suction force	85 N
Volume	22.152 cm <sup>3</sup>
Curve radius (min) (convex)	40 mm
Internal hose diameter (recom.)	6 mm
Size	53
Suction cup material	Nitrile rubber NBR
Weight	34 g
Number of folds	0
Product family	SGGN

**Note:**

- Suction force: The specified suction forces are theoretical values at a vacuum of -0.6 bar and with a smooth, dry workpiece surface - they do not include a safety factor
- Hose diameter: The recommended hose diameter refers to a hose length of approx. 2 m