

Bell suction cup (round)

<https://www.schmalz.com/10.01.01.11172>



SGGN 53 NBR-55 G1/4-AG

Part no.: 10.01.01.11172

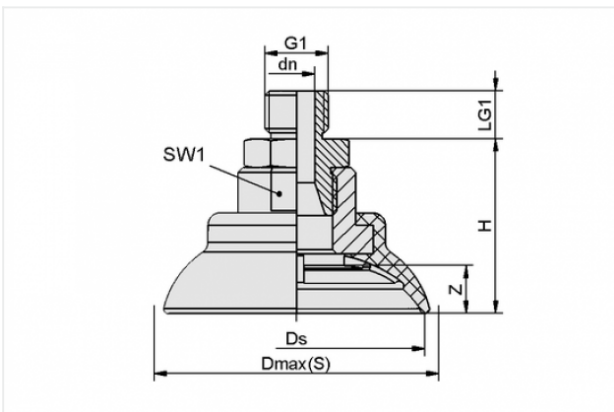
Homepage > Vacuum Technology for Automation > Vacuum Components > Vacuum Suction Cups > Suction Cups for Handling Sheet Metal > Bell-Shaped Suction Cups SGGN > SGGN 53 NBR-55 G1/4-AG

Bell suction cup (round) for best adaptation to strongly curved surfaces



Size: 53
Suction cup material:
Nitrile rubber NBR
Material hardness: 55 °Sh
Nipple material: Brass
Vacuum connection: G1/4-M

Design Data



Attribute	Value
-----------	-------

dn	7.5 mm
----	--------

Dmax(S)	64 mm
---------	-------

Ds	53.5 mm
----	---------

G1	G1/4"-M
----	---------

H	36.5 mm
---	---------

LG1	10 mm
-----	-------

SW1	22 mm
-----	-------

Z	10 mm
---	-------

Technical Data

Contact to Schmalz

J. Schmalz GmbH | Johannes-Schmalz-Straße, 72293 Glatten, Deutschland | +49 7443 2403-102 | customercenter@schmalz.de

Attribute	Value
Suction force	85 N
Volume	22.152 cm ³
Curve radius (min) (convex)	40 mm
Internal hose diameter (recom.)	6 mm
Size	53
Suction cup material	Nitrile rubber NBR
Weight	34 g
Number of folds	0
Product family	SGGN

Note:

- Suction force: The specified suction forces are theoretical values at a vacuum of -0.6 bar and with a smooth, dry workpiece surface - they do not include a safety factor
- Hose diameter: The recommended hose diameter refers to a hose length of approx. 2 m