

Bellows suction cup (round)

<https://www.schmalz.com/10.01.06.03263>



SAB2 20 NBR-60 P

Part no.: 10.01.06.03263

Homepage > Vacuum Technology for Automation > Vacuum Components > Vacuum Suction Cups > Suction Cups for Handling Sheet Metal >

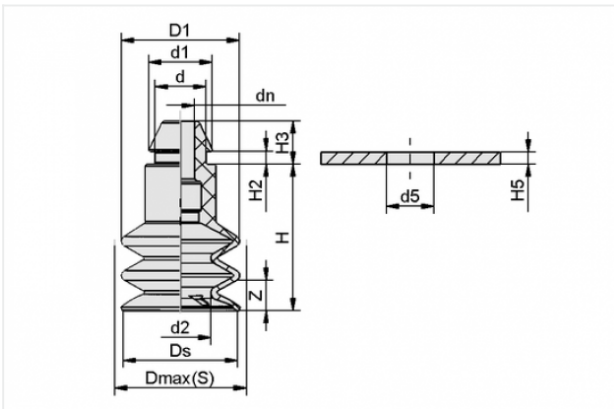
Bellows Suction Cups SAB2 P (2.5 Folds) > SAB2 20 NBR-60 P

Bellows suction cup (round) with 2.5 bellows for very dynamic handling of smooth and oily workpieces



Size: 20
Suction cup material:
Nitrile rubber NBR
Material hardness: 60 °Sh
Number of folds: 2.5
Shape: Push In

Design Data



Attribute	Value
-----------	-------

d	8.5 mm
d1	10.6 mm
d2	10 mm
d5	7.9 mm
dn	4.7 mm
D1	19.7 mm
Dmax(S)	20.5 mm
Ds	19.1 mm
H	24.5 mm
H2	2.2 mm
H3	7.2 mm
H5	2 mm

Contact to Schmalz

J. Schmalz GmbH | Johannes-Schmalz-Straße, 72293 Glatten, Deutschland | +49 7443 2403-102 | customercenter@schmalz.de

Attribute	Value
Z	9 mm

Technical Data

Attribute	Value
Suction force	4.7 N
Pull-off force	13 N
Volume	2.6 cm ³
Curve radius (min) (convex)	20 mm
Number of folds	2.5
Suction cup material	Nitrile rubber NBR
Material hardness	60 °Sh
Weight	2.5 g

Note:

- Suction force: The specified suction forces are theoretical values with a smooth, dry workpiece surface - they do not include safety factors

Accessories



FD 16 120

Part no. 10.01.06.02565

Filter disc

External diameter D: 16 mm

Filter pore size: 120 µm

for: Bellows suction pad

Size: FG20/FGA20

Contact to Schmalz

**SW 80 P**

Part no. 10.05.04.00090

Flow resistor for reduction of the volume flow rate

Nominal size: 0.80 mm

Shape: Push In

Length: 15.5 mm

Material: Polyoxymethylene

**SW 100 P**

Part no. 10.05.04.00091

Flow resistor for reduction of the volume flow rate

Nominal size: 1.00 mm

Shape: Push In

Length: 15.5 mm

Material: Polyoxymethylene

**SW 130 P**

Part no. 10.05.04.00092

Flow resistor for reduction of the volume flow rate

Nominal size: 1.30 mm

Shape: Push In

Length: 15.5 mm

Material: Polyoxymethylene

**SW 150 P**

Part no. 10.05.04.00093

Flow resistor for reduction of the volume flow rate

Nominal size: 1.50 mm

Shape: Push In

Length: 15.5 mm

Material: Polyoxymethylene