

Bellows suction cup (round)

<https://www.schmalz.com/10.01.06.03235>



SAB2 20 HT1-60 P

Part no.: 10.01.06.03235

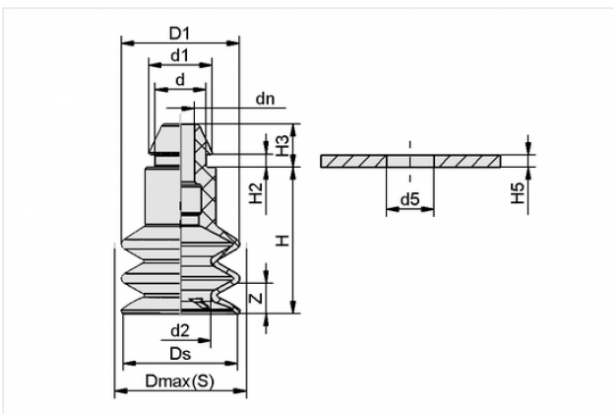
Homepage > Vacuum Technology for Automation > Vacuum Components > Vacuum Suction Cups > SAB2 20 HT1-60 P

Bellows suction cup (round) with 2.5 bellows for very dynamic handling of smooth and oily workpieces



Size: 20
Material hardness: 60 °Sh
Suction cup material:
High temp material HT1
Number of folds: 2.5
Shape: Push In

Design Data



| Attribute | Value |
|-----------|-------|
|-----------|-------|

| | |
|---|--------|
| d | 8.5 mm |
|---|--------|

| | |
|----|---------|
| d1 | 10.6 mm |
|----|---------|

| | |
|----|-------|
| d2 | 10 mm |
|----|-------|

| | |
|----|--------|
| d5 | 7.9 mm |
|----|--------|

| | |
|----|--------|
| dn | 4.7 mm |
|----|--------|

| | |
|----|---------|
| D1 | 19.7 mm |
|----|---------|

| | |
|---------|---------|
| Dmax(S) | 20.5 mm |
|---------|---------|

| | |
|----|---------|
| Ds | 19.1 mm |
|----|---------|

| | |
|---|---------|
| H | 24.5 mm |
|---|---------|

| | |
|----|--------|
| H2 | 2.2 mm |
|----|--------|

| | |
|----|--------|
| H3 | 7.2 mm |
|----|--------|

| | |
|----|------|
| H5 | 2 mm |
|----|------|

| | |
|---|------|
| Z | 9 mm |
|---|------|

Contact to Schmalz

J. Schmalz GmbH | Johannes-Schmalz-Straße, 72293 Glatten, Deutschland | +49 7443 2403-102 | customercenter@schmalz.de

Technical Data

| Attribute | Value |
|-----------------------------|------------------------|
| Suction force | 4.7 N |
| Pull-off force | 13 N |
| Volume | 2.6 cm ³ |
| Curve radius (min) (convex) | 20 mm |
| Number of folds | 2.5 |
| Suction cup material | High temp material HT1 |
| Material hardness | 60 °Sh |
| Weight | 2.5 g |

Accessories



FD 16 120

Part no. 10.01.06.02565

Filter disc

External diameter D: 16 mm

Filter pore size: 120 µm

for: Bellows suction pad

Size: FG20/FGA20

**SW 80 P**

Part no. 10.05.04.00090

Flow resistor for reduction of the volume flow rate

Nominal size: 0.80 mm

Shape: Push In

Length: 15.5 mm

Material: Polyoxymethylene

**SW 100 P**

Part no. 10.05.04.00091

Flow resistor for reduction of the volume flow rate

Nominal size: 1.00 mm

Shape: Push In

Length: 15.5 mm

Material: Polyoxymethylene

**SW 130 P**

Part no. 10.05.04.00092

Flow resistor for reduction of the volume flow rate

Nominal size: 1.30 mm

Shape: Push In

Length: 15.5 mm

Material: Polyoxymethylene

**SW 150 P**

Part no. 10.05.04.00093

Flow resistor for reduction of the volume flow rate

Nominal size: 1.50 mm

Shape: Push In

Length: 15.5 mm

Material: Polyoxymethylene