

# Bell suction cup (oval)

<https://www.schmalz.com/10.01.01.12255>



SAOG-S 95x40 NBR-60  
G3/8-IG

Part no.: 10.01.01.12255

Homepage > Vacuum Technology for Automation > Vacuum Components > Vacuum Suction Cups > Suction Cups for Handling Sheet Metal > Bell-Shaped Suction Cups SAOG-S > SAOG-S 95x40 NBR-60 G3/8-IG

## Bell suction cup (oval) for very dynamic handling of smooth and oily workpieces



Dimensions (LxB): 95 x 40 mm

Suction cup material:

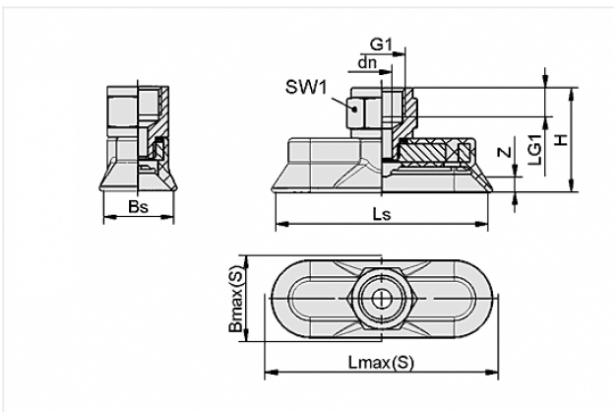
Nitrile rubber NBR

Material hardness: 60 °Sh

Nipple material: Brass, nickel-plated

Vacuum connection: G3/8-F

### Design Data



Attribute	Value
-----------	-------

Bmax(S)	46 mm
---------	-------

Bs	40.6 mm
----	---------

dn	6 mm
----	------

G1	G3/8"-F
----	---------

H	29.5 mm
---	---------

LG1	9 mm
-----	------

Lmax(S)	101 mm
---------	--------

Ls	95.6 mm
----	---------

SW1	22 mm
-----	-------

Z	6 mm
---	------

### Contact to Schmalz

J. Schmalz GmbH | Johannes-Schmalz-Straße, 72293 Glatten, Deutschland | +49 7443 2403-102 | [customercenter@schmalz.de](mailto:customercenter@schmalz.de)

## Technical Data

Attribute	Value
Suction force	165 N
Lateral force	192 N
Lateral force (oily surface)	110 N
Volume	18 cm <sup>3</sup>
Curve radius (min) (convex)	35 mm
Internal hose diameter (recom.)	6 mm
Dimensions (LxB)	95 x 40 mm
Suction cup material	Nitrile rubber NBR
Weight	64.9 g
Number of folds	0

---

---