

Bell suction cup (oval)

SAOG-S 80x30 NBR-60 RA

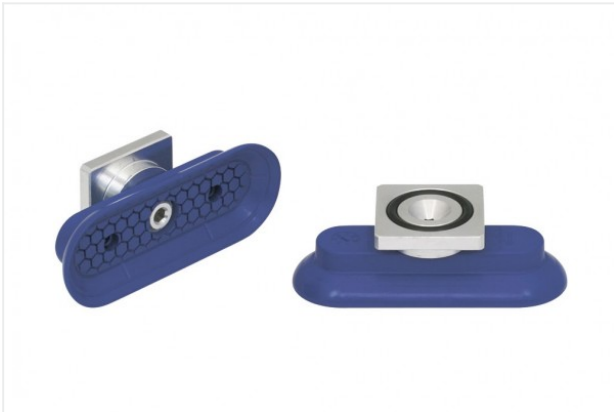
<https://www.schmalz.com/10.01.01.12179>



Part no.: 10.01.01.12179

Homepage > Vacuum Technology for Automation > Vacuum Components > Vacuum Suction Cups > Suction Cups for Handling Sheet Metal > Bell-Shaped Suction Cups SAOG-S > SAOG-S 80x30 NBR-60 RA

Bell suction cup (oval) for very dynamic handling of smooth and oily workpieces



Dimensions (LxB): 80 x 30 mm

Suction cup material:

Nitrile rubber NBR

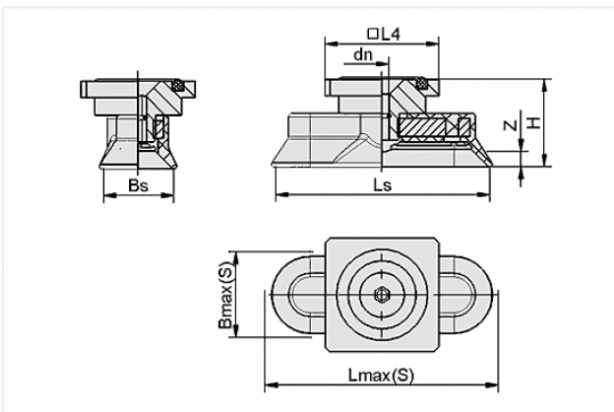
Material hardness: 60 °Sh

Nipple material: Aluminium

Vacuum connection:

Rectangular adapter

Design Data



Attribute	Value
Bmax(S)	37.5 mm
Bs	30.9 mm
dn	4 mm
H	24.5 mm
L4	31.8 mm
Lmax(S)	86.5 mm
Ls	80.9 mm
Z	6 mm

Technical Data

Contact to Schmalz

J. Schmalz GmbH | Johannes-Schmalz-Straße, 72293 Glatten, Deutschland | +49 7443 2403-102 | customercenter@schmalz.de

Attribute	Value
Suction force	105 N
Lateral force	130 N
Lateral force (oily surface)	91 N
Volume	11 cm ³
Curve radius (min) (convex)	20 mm
Internal hose diameter (recom.)	4 mm
Dimensions (LxB)	80 x 30 mm
Suction cup material	Nitrile rubber NBR
Weight	36.3 g
Number of folds	0

Spare Parts



O-RING 10x1.5 NBR-70

Part no. 10.07.08.00129

O-ring

Internal diameter d: 10 mm

Cord diameter: 1.5 mm

Material: Nitrile rubber NBR

Material hardness: 70 °Sh