

## Bellows suction cup (round)

SPB4 50 SI-55 G1/4-AG

Part no.:10.01.06.03532

<https://www.schmalz.com/10.01.06.03532>

Homepage > Vacuum Technology for Automation > Vacuum Components > Vacuum Suction Cups > Suction Cups for Packaging > Bellows

Suction Cups SPB4 (4.5 Folds) > SPB4 50 SI-55 G1/4-AG

### Bellows suction cup (round) for very uneven workpieces



Size: 50

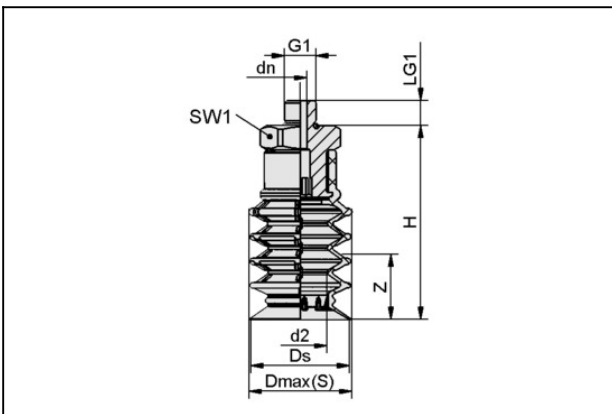
Suction cup material: Silicone SI

Material hardness: 55 °Sh

Thread G1: G1/4"-M

Number of folds: 4.5

### Design Data



Attribute	Value
d2	30 mm
dn	8 mm
Dmax(S)	51.5 mm
Ds	50.3 mm
G1	G1/4"-M
H	83.5 mm
LG1	10 mm
SW1	27 mm
Z (Stroke)	36.5 mm

### Technical Data

#### Contact to Schmalz

J. Schmalz GmbH | Johannes-Schmalz-Straße, 72293 Glatten, Deutschland | +49 7443 2403-102 | [customercenter@schmalz.de](mailto:customercenter@schmalz.de)

## Bellows suction cup (round)

### SPB4 50 SI-55 G1/4-AG

Part no.:10.01.06.03532

<https://www.schmalz.com/10.01.06.03532>

Attribute	Value
Suction force	49.5 N
Pull-off force	62 N
Volume	64.55 cm <sup>3</sup>
Hose diameter (empf.) d	12 mm
Number of folds	4.5
Suction cup material	Silicone SI
Material hardness [Shore A]	55
Weight	50 g
Product family	SPB4

## Spare Parts



### SC 090 G1/4-AG

Part no.10.01.06.02793

Connection element for suction cup "SchmalzConnector"

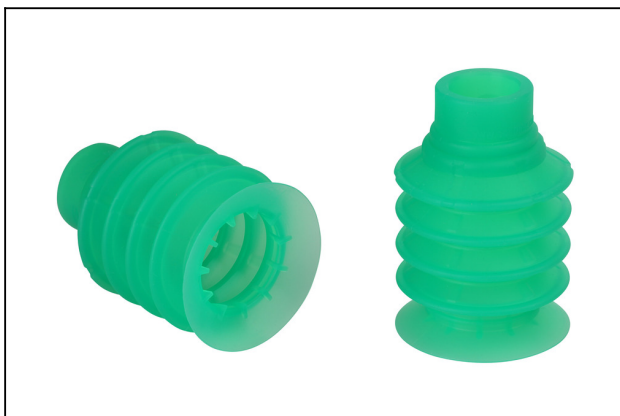
Connection geometry: 090

Vacuum connection: G1/4"-M

Overall length: 33.5 mm

Fitting length: 7.5 mm

Nominal diameter dn: 8 mm



### SPB4 50 SI-55 SC090

Part no.10.01.06.02613

Bellows suction cup (round) with 4.5 folds for process reliable handling of pouches and flex. prod.

Size: 50

Suction cup material: Silicone SI

Material hardness: 55 °Sh

Material characteristics:

FDA-compatible

Number of folds: 4.5

## Bellows suction cup (round)

SPB4 50 SI-55 G1/4-AG

Part no.:10.01.06.03532

<https://www.schmalz.com/10.01.06.03532>

### Accessories



#### **SIEB 19.5x1 MS-A2 103**

Part no.10.07.01.00321

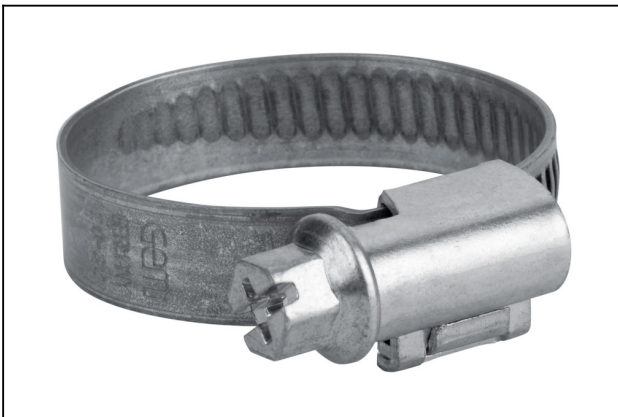
Screen

External diameter D: 19.5 mm

Length L: 1 mm

Material: Brass / Stainless steel

Filter pore size: 103 µm



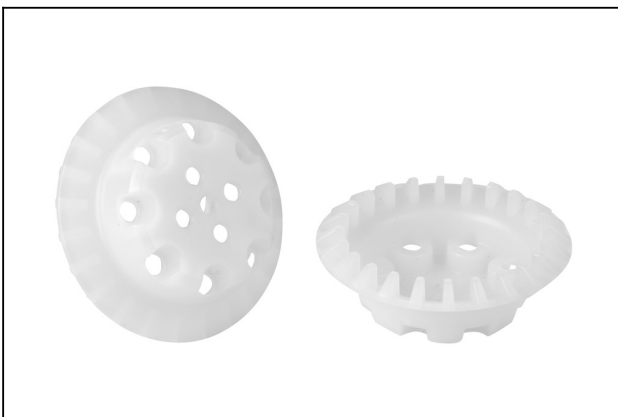
#### **SSB 20-32 ST-VZ**

Part no.10.07.10.00003

Hose clamp for securing smooth hoses

Clamping range: 20.0 ... 32.0 mm

Material: Steel galvanised



#### **SPI 42 PE SPB4-50**

Part no.10.01.06.02916

Suction cup insert for reinforcing and anti-rotation of suction cups

Size: 42

Material: Polyethylene

Application: SPB4-50