

Bell suction cup (oval)

<https://www.schmalz.com/10.01.01.12254>



SAOG-S 80x30 NBR-60
G3/8-IG

Part no.: 10.01.01.12254

Homepage > Vacuum Technology for Automation > Vacuum Components > Vacuum Suction Cups > Suction Cups for Handling Sheet Metal > Bell-Shaped Suction Cups SAOG-S > SAOG-S 80x30 NBR-60 G3/8-IG

Bell suction cup (oval) for very dynamic handling of smooth and oily workpieces



Dimensions (LxB): 80 x 30 mm

Suction cup material:

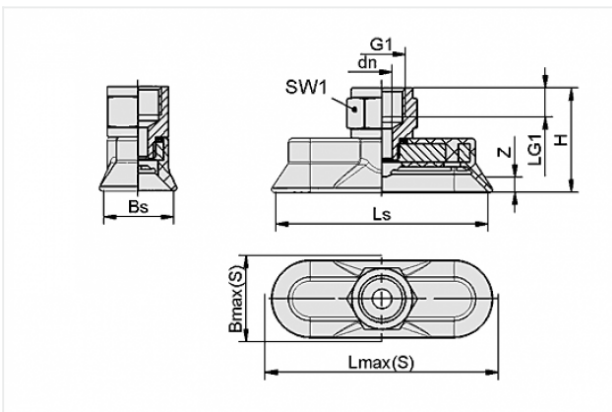
Nitrile rubber NBR

Material hardness: 60 °Sh

Nipple material: Brass, nickel-plated

Vacuum connection: G3/8-F

Design Data



Attribute	Value
-----------	-------

Bmax(S)	37.5 mm
---------	---------

Bs	30.9 mm
----	---------

dn	6 mm
----	------

G1	G3/8"-F
----	---------

H	29.5 mm
---	---------

LG1	9 mm
-----	------

Lmax(S)	86.5 mm
---------	---------

Ls	80.9 mm
----	---------

SW1	22 mm
-----	-------

Z	6 mm
---	------

Contact to Schmalz

J. Schmalz GmbH | Johannes-Schmalz-Straße, 72293 Glatten, Deutschland | +49 7443 2403-102 | customercenter@schmalz.de

Technical Data

Attribute	Value
Suction force	105 N
Lateral force	130 N
Lateral force (oily surface)	91 N
Volume	11 cm ³
Curve radius (min) (convex)	20 mm
Internal hose diameter (recom.)	4 mm
Dimensions (LxB)	80 x 30 mm
Suction cup material	Nitrile rubber NBR
Weight	48.6 g
Number of folds	0
