

Bellows suction cup (round)

<https://www.schmalz.com/10.01.06.02613>



SPB4 50 SI-55 SC090

Part no.: 10.01.06.02613

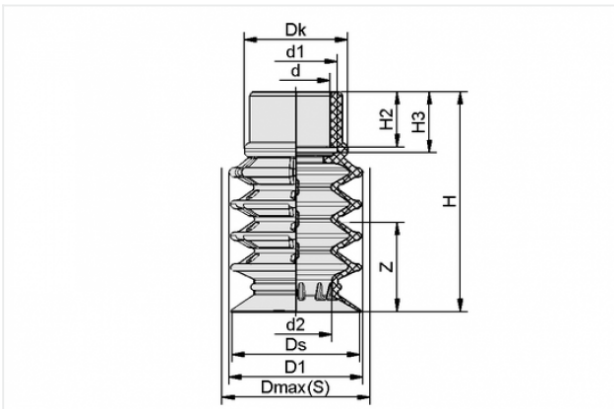
Homepage > Vacuum Technology for Automation > Vacuum Components > Vacuum Suction Cups > Suction Cups for Packaging > SPB4 50 SI-55 SC090

Bellows suction cup (round) with 4.5 folds for process reliable handling of pouches and flex. prod.



Size: 50
Suction cup material: Silicone SI
Material hardness: 55 °Sh
Material characteristics:
FDA-compatible
Number of folds: 4.5

Design Data



Attribute	Value
-----------	-------

d	20 mm
d1	24.8 mm
d2	30 mm
D1	51 mm
Dk	31 mm
Dmax(S)	51.5 mm
Ds	50.3 mm
H	76 mm
H2	14 mm
H3	16 mm
Z	36.5 mm

Contact to Schmalz

J. Schmalz GmbH | Johannes-Schmalz-Straße, 72293 Glatten, Deutschland | +49 7443 2403-102 | customercenter@schmalz.de

Technical Data

Attribute	Value
Suction force at -200 mbar	16.5 N
Suction force at -400 mbar	33 N
Suction force	49.5 N
Pull-off force at -200 mbar	22 N
Pull-off force at -400 mbar	37 N
Volume	64.55 cm ³
Size	50
Nipple	SC 090
Number of folds	4.5
Suction cup material	Silicone SI
Material hardness	55 °Sh
Weight	31.3 g
Product family	SPB4

Accessories



SIEB 19.5x1 MS-A2 103

Part no. 10.07.01.00321

Screen

External diameter D: 19.5 mm

Length L: 1 mm

Material: Brass / Stainless steel

Filter pore size: 103 µm

Contact to Schmalz

**SSB 20-32 ST-VZ**

Part no. 10.07.10.00003

Hose clamp for securing smooth hoses

Clamping range: 20.0 ... 32.0 mm

Material: Steel galvanised

**SPI 42 PE**

Part no. 10.01.06.02916

Insert disc for preventing film from being drawn in

Size: 42

Material: Polyethylene

Application: SPB4 50

**SC 090 G3/8-IG**

Part no. 10.01.06.03274

Connection element for suction cup SchmalzConnector

Connection geometry: 090

Vacuum connection: G3/8-F

Overall length: 37.5 mm

Fitting length: 21.5 mm

Nominal diameter dn: 15 mm

**SC 090 G1/4-IG**

Part no. 10.01.06.03273

Connection element for suction cup SchmalzConnector

Connection geometry: 090

Vacuum connection: G1/4-F

Overall length: 37.5 mm

Fitting length: 21.5 mm

Nominal diameter dn: 11.4 mm

**SC 090 G1/4-AG**

Part no. 10.01.06.02793

Connection element for suction cup SchmalzConnector

Connection geometry: 090

Vacuum connection: G1/4-M

Overall length: 33.5 mm

Fitting length: 7.5 mm

Nominal diameter dn: 8 mm

**SC 090 G1/8-IG**

Part no. 10.01.06.03272

Connection element for suction cup SchmalzConnector

Connection geometry: 090

Vacuum connection: G1/8-F

Overall length: 37.5 mm

Fitting length: 21.5 mm

Nominal diameter dn: 8.6 mm

**SC 090 G1/8-AG**

Part no. 10.01.06.03269

Connection element for suction cup SchmalzConnector

Connection geometry: 090

Vacuum connection: G1/8-M

Overall length: 31 mm

Fitting length: 7.5 mm

Nominal diameter dn: 4 mm

**SC 090 G1/2-AG**

Part no. 10.01.06.02595

Connection element for suction cup SchmalzConnector

Connection geometry: 090

Vacuum connection: G1/2-M

Overall length: 37.5 mm

Fitting length: 7.5 mm

Nominal diameter dn: 15 mm

**SC 090 G1/2-IG**

Part no. 10.01.06.02596

Connection element for suction cup SchmalzConnector

Connection geometry: 090

Vacuum connection: G1/2-F

Overall length: 37.5 mm

Fitting length: 21.5 mm

Nominal diameter dn: 15 mm



SC 090 G3/8-AG

Part no. 10.01.06.02791

Connection element for suction cup SchmalzConnector

Connection geometry: 090

Vacuum connection: G3/8-M

Overall length: 33.5 mm

Fitting length: 7.5 mm

Nominal diameter dn: 10.3 mm