

# Bell suction cup (oval)

## SAOG-S 60x20 NBR-60 RA

<https://www.schmalz.com/10.01.01.12176>



Part no.: 10.01.01.12176

Homepage > Vacuum Technology for Automation > Vacuum Components > Vacuum Suction Cups > Suction Cups for Handling Sheet Metal > Bell-Shaped Suction Cups SAOG-S > SAOG-S 60x20 NBR-60 RA

### Bell suction cup (oval) for very dynamic handling of smooth and oily workpieces



Dimensions (LxB): 60 x 20 mm

Suction cup material:

Nitrile rubber NBR

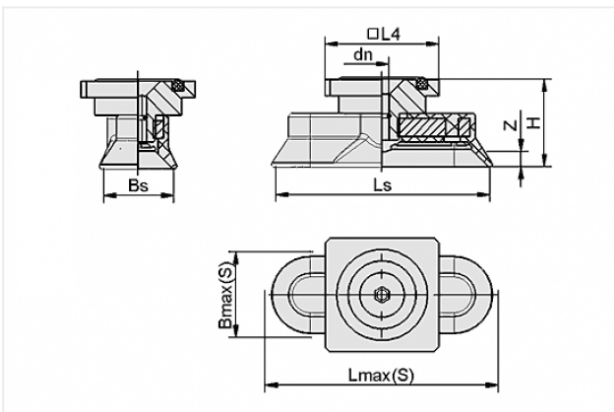
Material hardness: 60 °Sh

Nipple material: Aluminium

Vacuum connection:

Rectangular adapter

### Design Data



Attribute	Value
Bmax(S)	25.8 mm
Bs	20.9 mm
dn	4 mm
H	23.5 mm
L4	31.8 mm
Lmax(S)	65.8 mm
Ls	60.9 mm
Z	5 mm

### Technical Data

#### Contact to Schmalz

J. Schmalz GmbH | Johannes-Schmalz-Straße, 72293 Glatten, Deutschland | +49 7443 2403-102 | [customercenter@schmalz.de](mailto:customercenter@schmalz.de)

Attribute	Value
Suction force	56 N
Lateral force	45 N
Lateral force (oily surface)	30 N
Volume	4 cm <sup>3</sup>
Curve radius (min) (convex)	12.5 mm
Internal hose diameter (recom.)	4 mm
Dimensions (LxB)	60 x 20 mm
Suction cup material	Nitrile rubber NBR
Weight	27.6 g
Number of folds	0

## Spare Parts



### **O-RING 10x1.5 NBR-70**

Part no. 10.07.08.00129

O-ring

Internal diameter d: 10 mm

Cord diameter: 1.5 mm

Material: Nitrile rubber NBR

Material hardness: 70 °Sh