

Bell suction cup (oval) SAOG-S 60x20 NBR-60 M10-AG

<https://www.schmalz.com/10.01.01.12302>



Part no.: 10.01.01.12302

Homepage > Vacuum Technology for Automation > Vacuum Components > Vacuum Suction Cups > Suction Cups for Handling Sheet Metal > Bell-Shaped Suction Cups SAOG-S > SAOG-S 60x20 NBR-60 M10-AG

Bell suction cup (oval) for very dynamic handling of smooth and oily workpieces



Dimensions (LxB): 60 x 20 mm

Suction cup material:

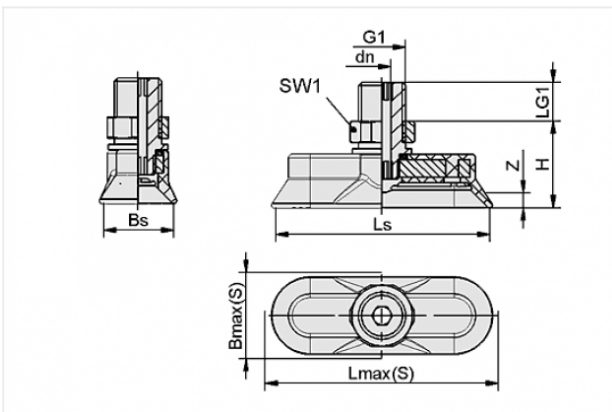
Nitrile rubber NBR

Material hardness: 60 °Sh

Nipple material: Steel

Vacuum connection: M10-M

Design Data



Attribute	Value
Bmax(S)	25.8 mm
Bs	20.9 mm
dn	5.1 mm
G1	M10-M
H	32.5 mm
LG1	10 mm
Lmax(S)	65.8 mm
Ls	60.9 mm
SW1	16 mm
Z	5 mm

Contact to Schmalz

J. Schmalz GmbH | Johannes-Schmalz-Straße, 72293 Glatten, Deutschland | +49 7443 2403-102 | customercenter@schmalz.de

Technical Data

Attribute	Value
Suction force	56 N
Lateral force	45 N
Lateral force (oily surface)	30 N
Volume	4 cm ³
Curve radius (min) (convex)	12.5 mm
Internal hose diameter (recom.)	4 mm
Dimensions (LxB)	60 x 20 mm
Suction cup material	Nitrile rubber NBR
Weight	26.5 g
Number of folds	0
