

## Bell suction cup (oval)

<https://www.schmalz.com/10.01.01.12247>



SAOG-S 60x20 NBR-60  
G1/4-IG

Part no.: 10.01.01.12247

Homepage > Vacuum Technology for Automation > Vacuum Components > Vacuum Suction Cups > Suction Cups for Handling Sheet Metal > Bell-Shaped Suction Cups SAOG-S > SAOG-S 60x20 NBR-60 G1/4-IG

## Bell suction cup (oval) for very dynamic handling of smooth and oily workpieces



Dimensions (LxB): 60 x 20 mm

Suction cup material:

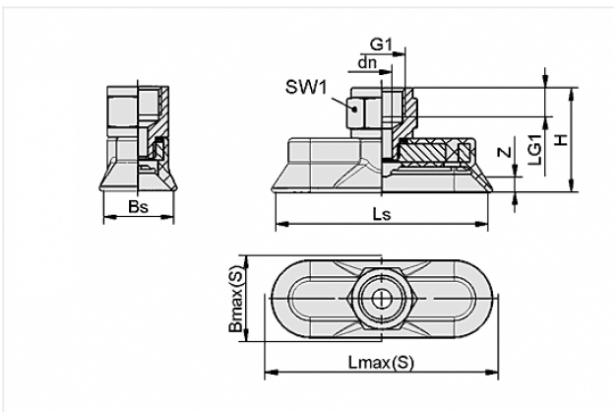
Nitrile rubber NBR

Material hardness: 60 °Sh

Nipple material: Brass, nickel-plated

Vacuum connection: G1/4-F

### Design Data



Attribute	Value
-----------	-------

Bmax(S)	25.8 mm
---------	---------

Bs	20.9 mm
----	---------

dn	5.5 mm
----	--------

G1	G1/4"-F
----	---------

H	28 mm
---	-------

LG1	8 mm
-----	------

Lmax(S)	65.8 mm
---------	---------

Ls	60.9 mm
----	---------

SW1	17 mm
-----	-------

Z	5 mm
---	------

### Contact to Schmalz

J. Schmalz GmbH | Johannes-Schmalz-Straße, 72293 Glatten, Deutschland | +49 7443 2403-102 | [customercenter@schmalz.de](mailto:customercenter@schmalz.de)

## Technical Data

Attribute	Value
Suction force	56 N
Lateral force	45 N
Lateral force (oily surface)	30 N
Volume	4 cm <sup>3</sup>
Curve radius (min) (convex)	12.5 mm
Internal hose diameter (recom.)	4 mm
Dimensions (LxB)	60 x 20 mm
Suction cup material	Nitrile rubber NBR
Weight	27 g
Number of folds	0

---

---