

Bell suction cup (oval)

<https://www.schmalz.com/10.01.01.12175>



SAOG-S 60x20 NBR-60
G1/4-AG

Part no.: 10.01.01.12175

Homepage > Vacuum Technology for Automation > Vacuum Components > Vacuum Suction Cups > Suction Cups for Handling Sheet Metal > Bell-Shaped Suction Cups SAOG-S > SAOG-S 60x20 NBR-60 G1/4-AG

Bell suction cup (oval) for very dynamic handling of smooth and oily workpieces



Dimensions (LxB): 60 x 20 mm

Suction cup material:

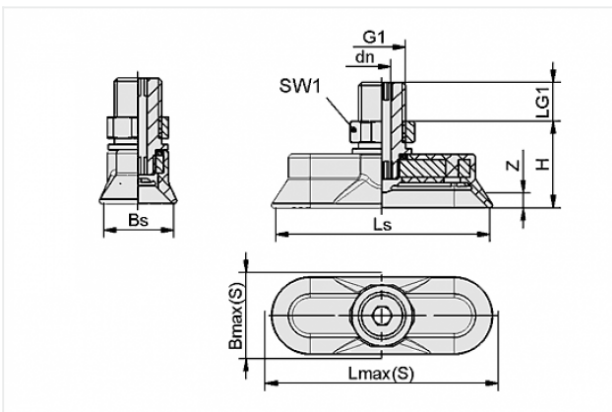
Nitrile rubber NBR

Material hardness: 60 °Sh

Nipple material: Aluminium

Vacuum connection: G1/4-M

Design Data



| Attribute | Value |
|-----------|-------|
|-----------|-------|

| | |
|---------|---------|
| Bmax(S) | 25.8 mm |
|---------|---------|

| | |
|----|---------|
| Bs | 20.9 mm |
|----|---------|

| | |
|----|------|
| dn | 5 mm |
|----|------|

| | |
|----|---------|
| G1 | G1/4"-M |
|----|---------|

| | |
|---|-------|
| H | 24 mm |
|---|-------|

| | |
|-----|-------|
| LG1 | 10 mm |
|-----|-------|

| | |
|---------|---------|
| Lmax(S) | 65.8 mm |
|---------|---------|

| | |
|----|---------|
| Ls | 60.9 mm |
|----|---------|

| | |
|-----|-------|
| SW1 | 17 mm |
|-----|-------|

| | |
|---|------|
| Z | 5 mm |
|---|------|

Contact to Schmalz

J. Schmalz GmbH | Johannes-Schmalz-Straße, 72293 Glatten, Deutschland | +49 7443 2403-102 | customercenter@schmalz.de

Technical Data

| Attribute | Value |
|---------------------------------|--------------------|
| Suction force | 56 N |
| Lateral force | 45 N |
| Lateral force (oily surface) | 30 N |
| Volume | 4 cm ³ |
| Curve radius (min) (convex) | 12.5 mm |
| Internal hose diameter (recom.) | 4 mm |
| Dimensions (LxB) | 60 x 20 mm |
| Suction cup material | Nitrile rubber NBR |
| Weight | 22.1 g |
| Number of folds | 0 |
