

## Bellows suction cup (round)

SPB4 40 SI-55 G1/4-AG

Part no.:10.01.06.03526

<https://www.schmalz.com/10.01.06.03526>

Homepage > Vacuum Technology for Automation > Vacuum Components > Area Gripping Systems and End Effectors > Vacuum End Effectors

VEE > Suction Cups for Vacuum End Effectors > SPB4 40 SI-55 G1/4-AG

### Bellows suction cup (round) for very uneven workpieces



Size: 40

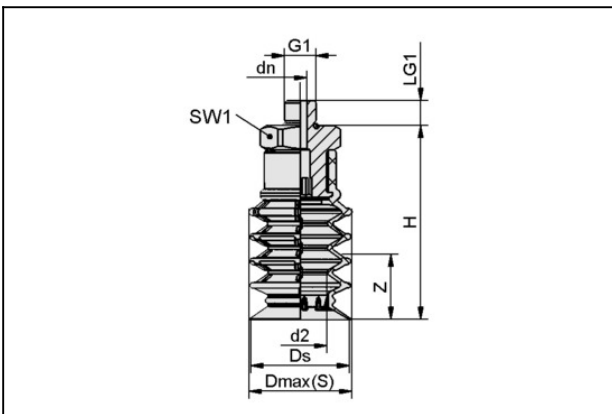
Suction cup material: Silicone SI

Material hardness: 55 °Sh

Thread G1: G1/4"-M

Number of folds: 4.5

### Design Data



Attribute	Value
d2	23 mm
dn	8 mm
Dmax(S)	41.5 mm
Ds	40.5 mm
G1	G1/4"-M
H	73.1 mm
LG1	10 mm
SW1	27 mm
Z (Stroke)	27 mm

### Technical Data

#### Contact to Schmalz

J. Schmalz GmbH | Johannes-Schmalz-Straße, 72293 Glatten, Deutschland | +49 7443 2403-102 | [customercenter@schmalz.de](mailto:customercenter@schmalz.de)

## Bellows suction cup (round)

SPB4 40 SI-55 G1/4-AG

Part no.:10.01.06.03526

<https://www.schmalz.com/10.01.06.03526>

Attribute	Value
Suction force	25 N
Pull-off force	39 N
Volume	35.74 cm <sup>3</sup>
Hose diameter (empf.) d	12 mm
Number of folds	4.5
Suction cup material	Silicone SI
Material hardness [Shore A]	55
Weight	40.7 g
Product family	SPB4

### Spare Parts



#### SC 090 G1/4-AG

Part no.10.01.06.02793

Connection element for suction cup "SchmalzConnector"

Connection geometry: 090

Vacuum connection: G1/4"-M

Overall length: 33.5 mm

Fitting length: 7.5 mm

Nominal diameter dn: 8 mm



#### SPB4 40 SI-55 SC090

Part no.10.01.06.02590

Bellows suction cup (round) with 4.5 folds for process reliable handling of pouches and flex. prod.

Size: 40

Suction cup material: Silicone SI

Material hardness: 55 °Sh

Material characteristics:

FDA-compatible

Number of folds: 4.5

## Bellows suction cup (round)

SPB4 40 SI-55 G1/4-AG

Part no.:10.01.06.03526

<https://www.schmalz.com/10.01.06.03526>

### Accessories



#### **SIEB 19.5x1 MS-A2 103**

Part no.10.07.01.00321

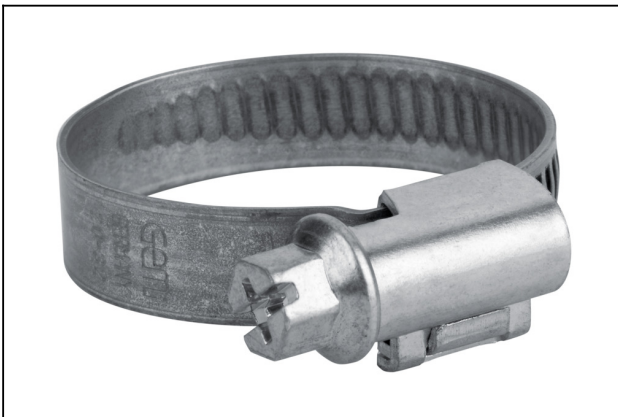
Screen

External diameter D: 19.5 mm

Length L: 1 mm

Material: Brass / Stainless steel

Filter pore size: 103 µm



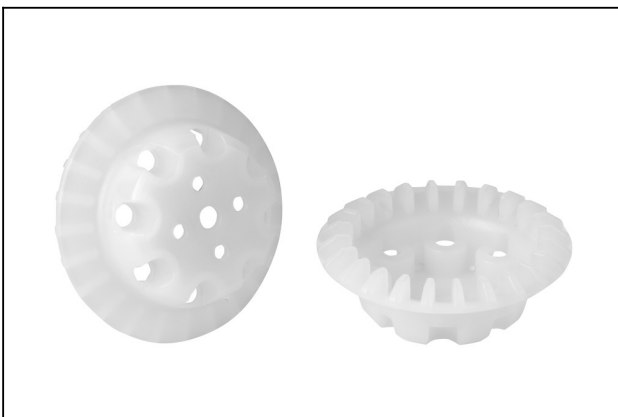
#### **SSB 20-32 ST-VZ**

Part no.10.07.10.00003

Hose clamp for securing smooth hoses

Clamping range: 20.0 ... 32.0 mm

Material: Steel galvanised



#### **SPI 32 PE SPB4-40**

Part no.10.01.06.02856

Suction cup insert for reinforcing and anti-rotation of suction cups

Size: 32

Material: Polyethylene

Application: SPB4-40