

Bellows suction cup (round)

<https://www.schmalz.com/10.01.06.03526>



SPB4 40 SI-55 G1/4-AG

Part no.: 10.01.06.03526

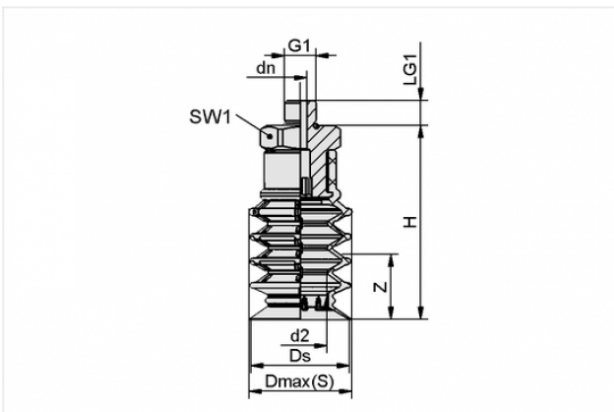
Homepage > Vacuum Technology for Automation > Vacuum Components > Vacuum Suction Cups > Suction Cups for Packaging > Bellows Suction Cups SPB4 (4.5 Folds) > SPB4 40 SI-55 G1/4-AG

Bellows suction cup (round) for very uneven workpieces



Size: 40
Suction cup material: Silicone SI
Material hardness: 55 °Sh
Thread G1: G1/4-M
Number of folds: 4.5

Design Data



Attribute	Value
d2	23 mm
dn	8 mm
Dmax(S)	41.5 mm
Ds	40.5 mm
G1	G1/4"-M
H	73.1 mm
LG1	10 mm
SW1	27 mm
Z	27 mm

Contact to Schmalz

J. Schmalz GmbH | Johannes-Schmalz-Straße, 72293 Glatten, Deutschland | +49 7443 2403-102 | customercenter@schmalz.de

Technical Data

Attribute	Value
Suction force	25 N
Pull-off force	39 N
Volume	35.74 cm ³
Internal hose diameter (recom.)	12 mm
Number of folds	4.5
Suction cup material	Silicone SI
Material hardness	55 °Sh
Weight	40.7 g
Product family	SPB4

Spare Parts



SC 090 G1/4-AG

Part no. 10.01.06.02793

Connection element for suction cup SchmalzConnector

Connection geometry: 090

Vacuum connection: G1/4-M

Overall length: 33.5 mm

Fitting length: 7.5 mm

Nominal diameter dn: 8 mm

**SPB4 40 SI-55 SC090**

Part no. 10.01.06.02590

Bellows suction cup (round) with 4.5 folds for process reliable handling of pouches and flex. prod.

Size: 40

Suction cup material: Silicone SI

Material hardness: 55 °Sh

Material characteristics:

FDA-compatible

Number of folds: 4.5

Accessories**SIEB 19.5x1 MS-A2 103**

Part no. 10.07.01.00321

Screen

External diameter D: 19.5 mm

Length L: 1 mm

Material: Brass / Stainless steel

Filter pore size: 103 µm

**SSB 20-32 ST-VZ**

Part no. 10.07.10.00003

Hose clamp for securing smooth hoses

Clamping range: 20.0 ... 32.0 mm

Material: Steel galvanised



SPI 32 PE

Part no. 10.01.06.02856

Insert disc for preventing film from being drawn in

Size: 32

Material: Polyethylene

Application: SPB4 40