

# Bellows suction cup (round)

<https://www.schmalz.com/10.01.06.02590>



## SPB4 40 SI-55 SC090

Part no.: 10.01.06.02590

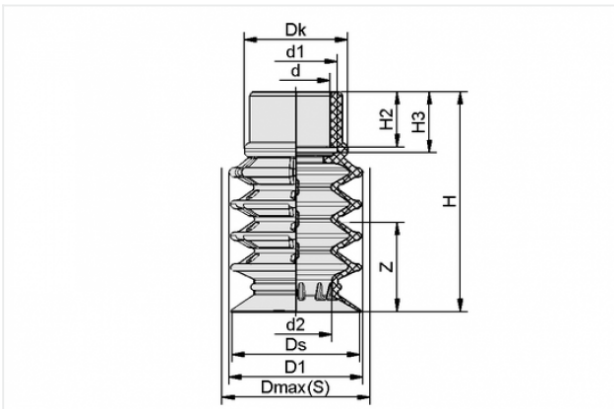
Homepage > Vacuum Technology for Automation > Vacuum Components > Vacuum Suction Cups > Suction Cups for Packaging > SPB4 40 SI-55 SC090

### Bellows suction cup (round) with 4.5 folds for process reliable handling of pouches and flex. prod.



Size: 40  
Suction cup material: Silicone SI  
Material hardness: 55 °Sh  
Material characteristics:  
FDA-compatible  
Number of folds: 4.5

#### Design Data



Attribute	Value
-----------	-------

d	20 mm
d1	24.8 mm
d2	23 mm
D1	41 mm
Dk	31 mm
Dmax(S)	41.5 mm
Ds	40.5 mm
H	65.6 mm
H2	14 mm
H3	16 mm
Z	27 mm

#### Contact to Schmalz

J. Schmalz GmbH | Johannes-Schmalz-Straße, 72293 Glatten, Deutschland | +49 7443 2403-102 | [customercenter@schmalz.de](mailto:customercenter@schmalz.de)

## Technical Data

Attribute	Value
Suction force at -200 mbar	8.3 N
Suction force at -400 mbar	16.6 N
Suction force	25 N
Pull-off force at -200 mbar	14.1 N
Pull-off force at -400 mbar	23 N
Volume	35.74 cm <sup>3</sup>
Size	40
Nipple	SC 090
Number of folds	4.5
Suction cup material	Silicone SI
Material hardness	55 °Sh
Weight	18.6 g
Product family	SPB4

## Accessories



### **SIEB 19.5x1 MS-A2 103**

Part no. 10.07.01.00321

Screen

External diameter D: 19.5 mm

Length L: 1 mm

Material: Brass / Stainless steel

Filter pore size: 103 µm

## Contact to Schmalz



**SSB 20-32 ST-VZ**

Part no. 10.07.10.00003

Hose clamp for securing smooth hoses

Clamping range: 20.0 ... 32.0 mm

Material: Steel galvanised



**SPI 32 PE**

Part no. 10.01.06.02856

Insert disc for preventing film from being drawn in

Size: 32

Material: Polyethylene

Application: SPB4 40



**SPSE 40**

Part no. 10.01.06.02954

Stabilization element for bellows suction cups SPB4

Size: 40



**SC 090 G3/8-IG**

Part no. 10.01.06.03274

Connection element for suction cup SchmalzConnector

Connection geometry: 090

Vacuum connection: G3/8-F

Overall length: 37.5 mm

Fitting length: 21.5 mm

Nominal diameter dn: 15 mm



**SC 090 G1/4-IG**

Part no. 10.01.06.03273

Connection element for suction cup SchmalzConnector

Connection geometry: 090

Vacuum connection: G1/4-F

Overall length: 37.5 mm

Fitting length: 21.5 mm

Nominal diameter dn: 11.4 mm



**SC 090 G1/4-AG**

Part no. 10.01.06.02793

Connection element for suction cup SchmalzConnector

Connection geometry: 090

Vacuum connection: G1/4-M

Overall length: 33.5 mm

Fitting length: 7.5 mm

Nominal diameter dn: 8 mm

**SC 090 G1/8-IG**

Part no. 10.01.06.03272

Connection element for suction cup SchmalzConnector

Connection geometry: 090

Vacuum connection: G1/8-F

Overall length: 37.5 mm

Fitting length: 21.5 mm

Nominal diameter dn: 8.6 mm

**SC 090 G1/8-AG**

Part no. 10.01.06.03269

Connection element for suction cup SchmalzConnector

Connection geometry: 090

Vacuum connection: G1/8-M

Overall length: 31 mm

Fitting length: 7.5 mm

Nominal diameter dn: 4 mm

**SC 090 G1/2-AG**

Part no. 10.01.06.02595

Connection element for suction cup SchmalzConnector

Connection geometry: 090

Vacuum connection: G1/2-M

Overall length: 37.5 mm

Fitting length: 7.5 mm

Nominal diameter dn: 15 mm

**SC 090 G1/2-IG**

Part no. 10.01.06.02596

Connection element for suction cup SchmalzConnector

Connection geometry: 090

Vacuum connection: G1/2-F

Overall length: 37.5 mm

Fitting length: 21.5 mm

Nominal diameter dn: 15 mm

**SC 090 G3/8-AG**

Part no. 10.01.06.02791

Connection element for suction cup SchmalzConnector

Connection geometry: 090

Vacuum connection: G3/8-M

Overall length: 33.5 mm

Fitting length: 7.5 mm

Nominal diameter dn: 10.3 mm