

Schmalz Pad Insert

<https://www.schmalz.com/10.01.06.02856>



SPI 32 PE

Part no.: 10.01.06.02856

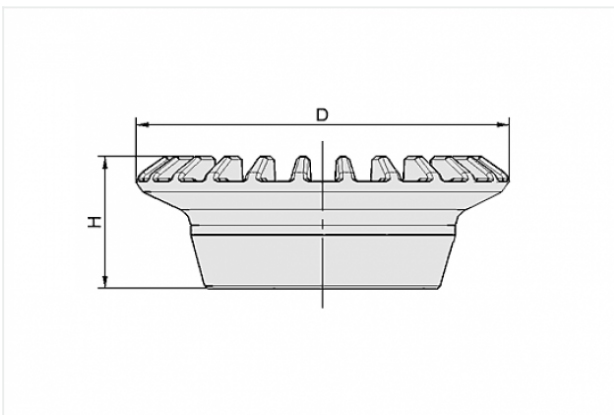
Homepage > Vacuum Technology for Automation > Vacuum Components > Vacuum Suction Cups > Accessories Vacuum Suction Cups > Suction Cup Inserts SPI (for SPB4) > SPI 32 PE

Insert disc for preventing film from being drawn in



Size: 32
Material: Polyethylene
Application: SPB4 40

Design Data



Attribute	Value
D	32 mm
H	11.5 mm

Technical Data

Attribute	Value
Application	SPB4 40
Material	Polyethylene

Contact to Schmalz

J. Schmalz GmbH | Johannes-Schmalz-Straße, 72293 Glatten, Deutschland | +49 7443 2403-102 | customercenter@schmalz.de



Attribute	Value
Weight	1.5 g
