

Stabilization element SPSE 30

<https://www.schmalz.com/10.01.06.02953>



Part no.: 10.01.06.02953

Homepage > Vacuum Technology for Automation > Vacuum Components > Vacuum Suction Cups > Accessories Vacuum Suction Cups >

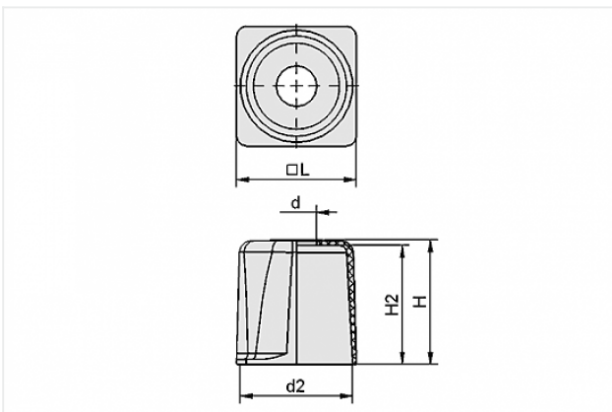
Stabilization elements SPSE > SPSE 30

Stabilization element for bellows suction cups SPB4



Size: 30

Design Data



Attribute	Value
-----------	-------

d	17 mm
---	-------

d2	34.9 mm
----	---------

H	45.3 mm
---	---------

H2	43 mm
----	-------

L	38 mm
---	-------

Technical Data

Attribute	Value
-----------	-------

Weight	23.2 g
--------	--------

Contact to Schmalz

J. Schmalz GmbH | Johannes-Schmalz-Straße, 72293 Glatten, Deutschland | +49 7443 2403-102 | customercenter@schmalz.de

