

# Bellows suction cup (round)

<https://www.schmalz.com/10.01.06.02589>



SPB4 30 SI-55 SC080

Part no.: 10.01.06.02589

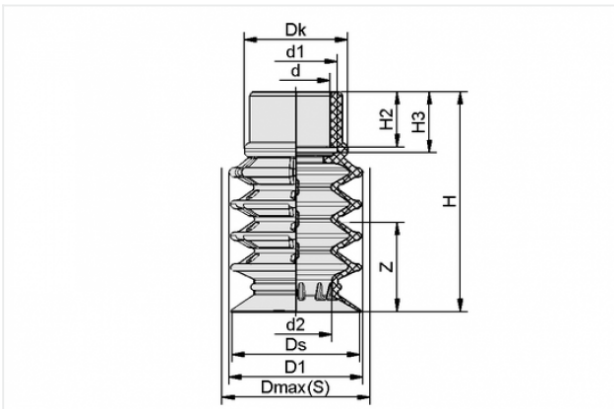
Homepage > Vacuum Technology for Automation > Vacuum Components > Vacuum Suction Cups > Suction Cups for Packaging > SPB4 30 SI-55 SC080

## Bellows suction cup (round) with 4.5 folds for process reliable handling of pouches and flex. prod.



Size: 30  
Suction cup material: Silicone SI  
Material hardness: 55 °Sh  
Material characteristics:  
FDA-compatible  
Number of folds: 4.5

### Design Data



Attribute	Value
-----------	-------

d	16 mm
d1	19.6 mm
d2	17 mm
D1	31 mm
Dk	24.4 mm
Dmax(S)	31.5 mm
Ds	30.2 mm
H	52 mm
H2	13 mm
H3	14.4 mm
Z	20 mm

### Contact to Schmalz

J. Schmalz GmbH | Johannes-Schmalz-Straße, 72293 Glatten, Deutschland | +49 7443 2403-102 | [customercenter@schmalz.de](mailto:customercenter@schmalz.de)

## Technical Data

Attribute	Value
Suction force at -200 mbar	5.3 N
Suction force at -400 mbar	10.6 N
Suction force	16 N
Pull-off force at -200 mbar	9.9 N
Pull-off force at -400 mbar	13 N
Volume	15.61 cm <sup>3</sup>
Size	30
Nipple	SC 080
Number of folds	4.5
Suction cup material	Silicone SI
Material hardness	55 °Sh
Weight	9.3 g
Product family	SPB4

## Accessories



### SSB 16-27 ST-VZ

Part no. 10.07.10.00002

Hose clamp for securing smooth hoses

Clamping range: 16.0 ... 27.0 mm

Material: Steel galvanised

## Contact to Schmalz



**SIEB 17x0.8 MS-A2 103 0.103/0.07**

Part no. 10.07.01.00320

Screen

External diameter D: 17 mm

Length L: 0.8 mm

Material: Brass / Stainless steel

Filter pore size: 103 µm

Mesh: 0.103 mm

Wire size: 0.07 mm



**SPI 24 PE**

Part no. 10.01.06.02855

Insert disc for preventing film from being drawn in

Size: 24

Material: Polyethylene

Application: SPB4 30



**SPSE 30**

Part no. 10.01.06.02953

Stabilization element for bellows suction cups SPB4

Size: 30



**SC 080 G1/4-IG**

Part no. 10.01.06.03271

Connection element for suction cup SchmalzConnector

Connection geometry: 080

Vacuum connection: G1/4-F

Overall length: 32 mm

Fitting length: 17.5 mm

Nominal diameter dn: 11 mm



**SC 080 G3/8-AG**

Part no. 10.01.06.02593

Connection element for suction cup SchmalzConnector

Connection geometry: 080

Vacuum connection: G3/8-M

Overall length: 32 mm

Fitting length: 7.5 mm

Nominal diameter dn: 10.3 mm



**SC 080 G3/8-IG**

Part no. 10.01.06.02594

Connection element for suction cup SchmalzConnector

Connection geometry: 080

Vacuum connection: G3/8-F

Overall length: 32 mm

Fitting length: 17.5 mm

Nominal diameter dn: 11 mm



**SC 080 G1/8-AG**

Part no. 10.01.06.03142

Connection element for suction cup SchmalzConnector

Connection geometry: 080

Vacuum connection: G1/8-M

Overall length: 28 mm

Fitting length: 7.5 mm

Nominal diameter dn: 4 mm



**SC 080 G1/8-IG**

Part no. 10.01.06.03270

Connection element for suction cup SchmalzConnector

Connection geometry: 080

Vacuum connection: G1/8-F

Overall length: 32 mm

Fitting length: 17.5 mm

Nominal diameter dn: 8.6 mm



**SC 080 G1/4-AG**

Part no. 10.01.06.03268

Connection element for suction cup SchmalzConnector

Connection geometry: 080

Vacuum connection: G1/4-M

Overall length: 32 mm

Fitting length: 7.5 mm

Nominal diameter dn: 8 mm