

Bell suction cup (oval)

SAOG 60x20 NBR-45 G1/4-IG

<https://www.schmalz.com/10.01.01.11754>



Part no.: 10.01.01.11754

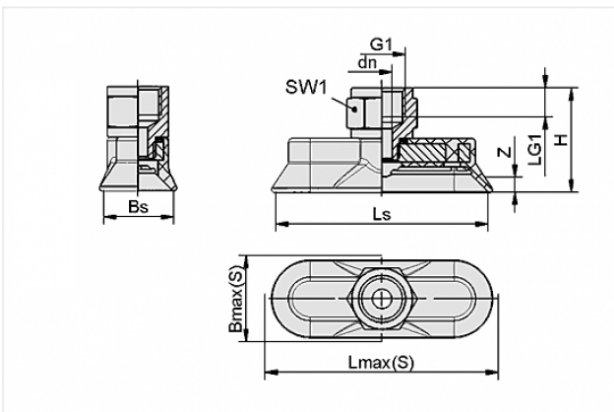
Homepage > Vacuum Technology for Automation > Vacuum Components > Vacuum Suction Cups > Suction Cups for Handling Sheet Metal > Bell-Shaped Suction Cups SAOG (Oval) > SAOG 60x20 NBR-45 G1/4-IG

Bell suction cup (oval) for very dynamic handling of smooth and oily workpieces



Dimensions (LxB): 60 x 20 mm
 Suction cup material:
 Nitrile rubber NBR
 Material hardness: 45 °Sh
 Nipple material: Brass, nickel-plated
 Vacuum connection: G1/4-F

Design Data



Attribute	Value
Bmax(S)	26 mm
Bs	20 mm
dn	6 mm
G1	G1/4"-F
H	29 mm
LG1	8 mm
Lmax(S)	66 mm
Ls	60 mm
SW1	17 mm
Z	4.5 mm

Contact to Schmalz

J. Schmalz GmbH | Johannes-Schmalz-Straße, 72293 Glatten, Deutschland | +49 7443 2403-102 | customercenter@schmalz.de

Technical Data

Attribute	Value
Suction force	56 N
Lateral force	35 N
Lateral force (oily surface)	10 N
Volume	4.86 cm ³
Curve radius (min) (convex)	12.5 mm
Internal hose diameter (recom.)	4 mm
Dimensions (LxB)	60 x 20 mm
Suction cup material	Nitrile rubber NBR
Weight	27.7 g
Number of folds	0

Note:

- Suction force: The specified suction forces are theoretical values at a vacuum of -0.6 bar and with a smooth, dry workpiece surface - they do not include a safety factor
- Lateral force: The specified lateral forces are values measured at a vacuum of -0.6 bar with a dry or oily, smooth, flat workpiece surface. Depending on the workpiece surface and its quality, the actual values may deviate from these values
- Hose diameter: The recommended hose diameter refers to a hose length of approx. 2 m