

# Bellows suction cup (round)

<https://www.schmalz.com/10.01.06.03517>



## SPB4 20 SI-55 G1/8-IG

Part no.: 10.01.06.03517

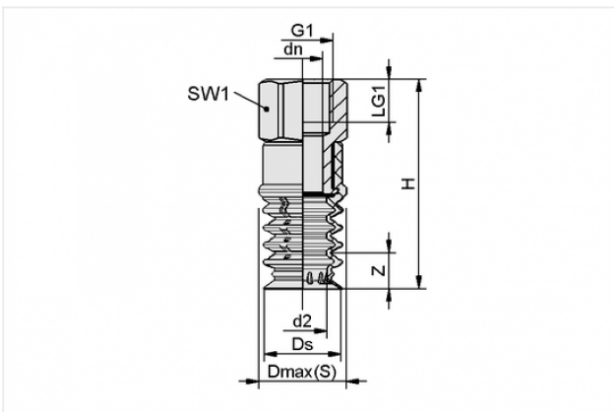
Homepage > Vacuum Technology for Automation > Vacuum Components > Vacuum Suction Cups > Suction Cups for Packaging > Bellows Suction Cups SPB4 (4.5 Folds) > SPB4 20 SI-55 G1/8-IG

## Bellows suction cup (round) for very uneven workpieces



Size: 20  
Suction cup material: Silicone SI  
Material hardness: 55 °Sh  
Thread G1: G1/8-F  
Number of folds: 4.5

## Design Data



Attribute	Value
-----------	-------

d2	13.5 mm
----	---------

dn	8.6 mm
----	--------

Dmax(S)	24.4 mm
---------	---------

Ds	21.4 mm
----	---------

G1	G1/8"-F
----	---------

H	58.4 mm
---	---------

LG1	12 mm
-----	-------

SW1	22 mm
-----	-------

Z	10 mm
---	-------

## Contact to Schmalz

J. Schmalz GmbH | Johannes-Schmalz-Straße, 72293 Glatten, Deutschland | +49 7443 2403-102 | [customercenter@schmalz.de](mailto:customercenter@schmalz.de)

## Technical Data

Attribute	Value
Suction force	8 N
Pull-off force	11 N
Volume	7.9 cm <sup>3</sup>
Internal hose diameter (recom.)	9 mm
Number of folds	4.5
Suction cup material	Silicone SI
Material hardness	55 °Sh
Weight	32.3 g
Product family	SPB4

## Spare Parts



### SC 080 G1/8-IG

Part no. 10.01.06.03270

Connection element for suction cup SchmalzConnector

Connection geometry: 080

Vacuum connection: G1/8-F

Overall length: 32 mm

Fitting length: 17.5 mm

Nominal diameter dn: 8.6 mm



**SPB4 20 SI-55 SC080**

Part no. 10.01.06.02588

Bellows suction cup (round) with 4.5 folds for process reliable handling of pouches and flex. prod.

Size: 20

Suction cup material: Silicone SI

Material hardness: 55 °Sh

Material characteristics:

FDA-compatible

Number of folds: 4.5

**Accessories**



**SIEB 17x0.8 MS-A2 103 0.103/0.07**

Part no. 10.07.01.00320

Screen

External diameter D: 17 mm

Length L: 0.8 mm

Material: Brass / Stainless steel

Filter pore size: 103 µm

Mesh: 0.103 mm

Wire size: 0.07 mm



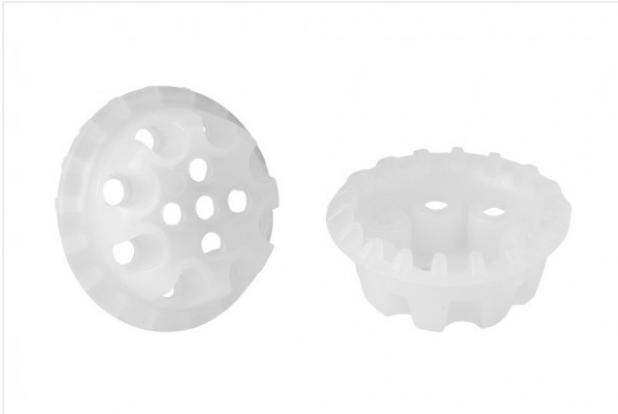
**SSB 16-27 ST-VZ**

Part no. 10.07.10.00002

Hose clamp for securing smooth hoses

Clamping range: 16.0 ... 27.0 mm

Material: Steel galvanised



**SPI 16 PE**

Part no. 10.01.06.02915

Insert disc for preventing film from being drawn in

Size: 16

Material: Polyethylene

Application: SPB4 20