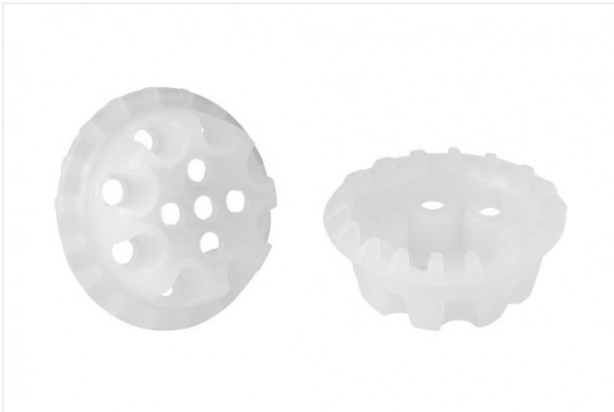


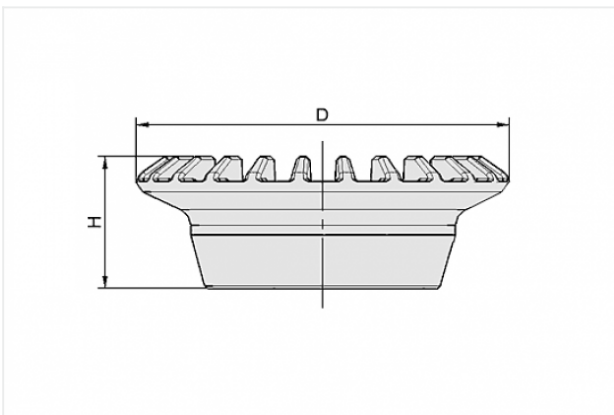
Homepage > Vacuum Technology for Automation > Vacuum Components > Vacuum Suction Cups > Accessories Vacuum Suction Cups > Suction Cup Inserts SPI (for SPB4) > SPI 16 PE

Insert disc for preventing film from being drawn in



Size: 16
Material: Polyethylene
Application: SPB4 20

Design Data



Attribute	Value
D	16 mm
H	7.5 mm

Technical Data

Attribute	Value
Application	SPB4 20
Material	Polyethylene

Contact to Schmalz



Attribute	Value
Weight	0.3 g
