

Bellows suction cup (round)

SPB4 20 SI-55 G1/8-AG

Part no.:10.01.06.03514

<https://www.schmalz.com/10.01.06.03514>

Homepage > Vacuum Technology for Automation > Vacuum Components > Area Gripping Systems and End Effectors > Vacuum End Effectors

VEE > Suction Cups for Vacuum End Effectors > SPB4 20 SI-55 G1/8-AG

Bellows suction cup (round) for very uneven workpieces



Size: 20

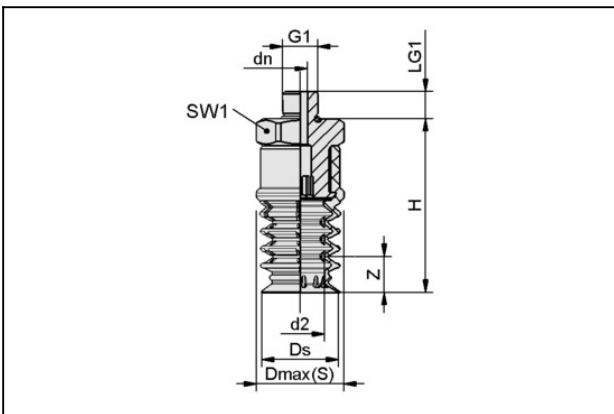
Suction cup material: Silicone SI

Material hardness: 55 °Sh

Thread G1: G1/8"-M

Number of folds: 4.5

Design Data



Attribute	Value
d2	13.5 mm
dn	4 mm
Dmax(S)	24.4 mm
Ds	21.4 mm
G1	G1/8"-M
H	48.4 mm
LG1	7.5 mm
SW1	22 mm
Z (Stroke)	10 mm

Technical Data

Contact to Schmalz

J. Schmalz GmbH | Johannes-Schmalz-Straße, 72293 Glatten, Deutschland | +49 7443 2403-102 | customercenter@schmalz.de

Bellows suction cup (round)

SPB4 20 SI-55 G1/8-AG

Part no.:10.01.06.03514

<https://www.schmalz.com/10.01.06.03514>

Attribute	Value
Suction force	8 N
Pull-off force	11 N
Volume	7.9 cm ³
Hose diameter (empf.) d	9 mm
Number of folds	4.5
Suction cup material	Silicone SI
Material hardness [Shore A]	55
Weight	23.2 g
Product family	SPB4

Spare Parts



SC 080 G1/8-AG

Part no.10.01.06.03142

Connection element for suction cup "SchmalzConnector"

Connection geometry: 080

Vacuum connection: G1/8"-M

Overall length: 28 mm

Fitting length: 7.5 mm

Nominal diameter dn: 4 mm



SPB4 20 SI-55 SC080

Part no.10.01.06.02588

Bellows suction cup (round) with 4.5 folds for process reliable handling of pouches and flex. prod.

Size: 20

Suction cup material: Silicone SI

Material hardness: 55 °Sh

Material characteristics:

FDA-compatible

Number of folds: 4.5

Bellows suction cup (round)

SPB4 20 SI-55 G1/8-AG

Part no.:10.01.06.03514

<https://www.schmalz.com/10.01.06.03514>

Accessories



SIEB 17x0.8 MS-A2 103 0.103/0.07

Part no.10.07.01.00320

Screen

External diameter D: 17 mm

Length L: 0.8 mm

Material: Brass / Stainless steel

Filter pore size: 103 µm

Mesh: 0.103 mm

Wire size: 0.07 mm



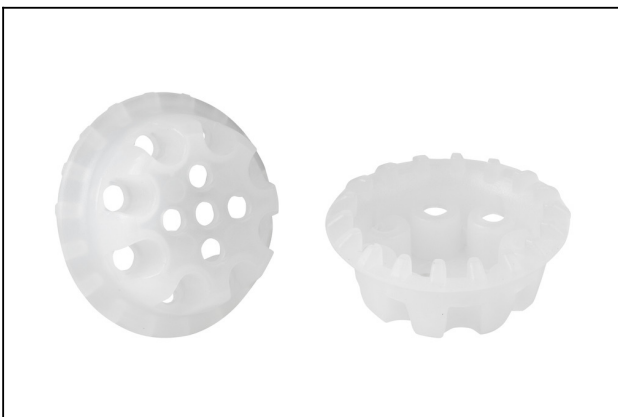
SSB 16-27 ST-VZ

Part no.10.07.10.00002

Hose clamp for securing smooth hoses

Clamping range: 16.0 ... 27.0 mm

Material: Steel galvanised



SPI 16 PE SPB4-20

Part no.10.01.06.02915

Suction cup insert for reinforcing and anti-rotation of suction cups

Size: 16

Material: Polyethylene

Application: SPB4-20