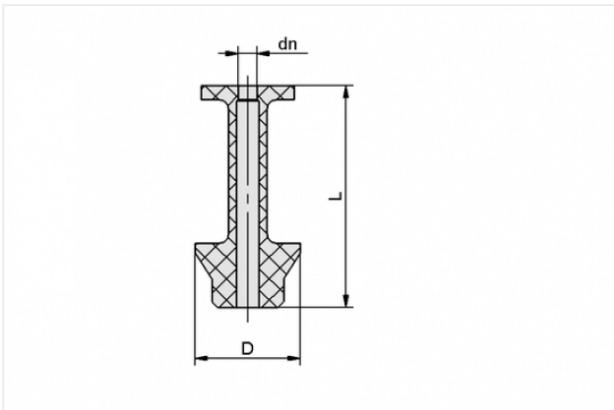


Flow resistor for reduction of the volume flow rate



Nominal size: 1.50 mm
Shape: Push In
Length: 15.5 mm
Material: Polyoxymethylene

Design Data



Attribute	Value
dn	1.5 mm
D	7.3 mm
L	15.5 mm

Technical Data

Attribute	Value
Material	Polyoxymethylene
Weight	0.26 g



Contact to Schmalz

J. Schmalz GmbH | Johannes-Schmalz-Straße, 72293 Glatten, Deutschland | +49 7443 2403-102 |
customercenter@schmalz.de